

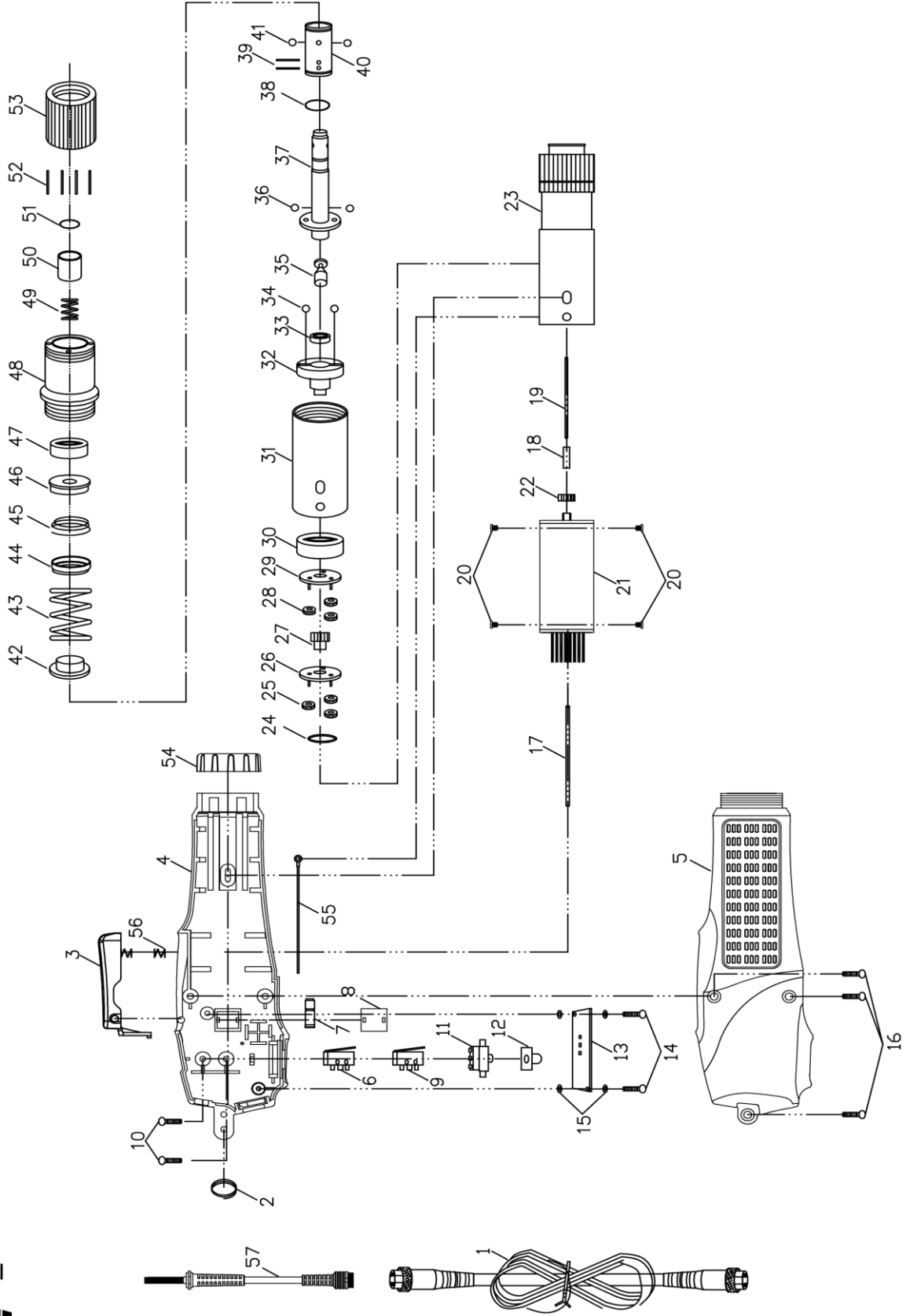
Delta Regis Model #CESL810-812 (r0) (CE/RoHS)

## Delta Regis Model #CESL810, 811, 812 (r0) (CE/RoHS) - Parts List

Ref #	Part Number	Description	Qty
1	DR96-66002	Cable Assembly, 2m	1
2	DR80-10141A	Suspension Ring	1
3	DR40-10153-STD	Trigger Assembly	1
	DR40-10153	Trigger Assembly - ESD	1
4	DR80-10224-STD	Housing (Label Side)	1
	DR80-10224	Housing (Label Side) - ESD	1
5	DR80-10225-STD	Housing	1
	DR80-10225	Housing - ESD	1
6	DR40-10125	Start Switch	1
7	DR15-10036A	Push Rod	1
8	DR12-10039	Fixture	1
9	DR40-10125	Shut-off Switch	1
10	DR10-10042	Screw	2
11	DR40-10154	Fwd/Rev Switch	1
12	DR80-10137	Fwd/Rev Switch Cover (810)	1
	DR80-10138	Fwd/Rev Switch Cover (811)	1
	DR80-10143	Fwd/Rev Switch Cover (812)	1
13	DR40-10188-1BN	Control Board	1
14	DR10-10045	Screw	2
	DR10-10048	Screw (ESD models)	2
15	DR40-10156	Insulating Washer, 0.8mm (ESD)	4
16	DR10-10032	Housing Screw	3
17	DR15-10070	Push Rod	1
18	DR15-10077	Push Rod	1
19	DR15-10071	Push Rod	1
20	DR10-10049	Screw	4
21	DR54-10034	Motor Assembly	1
22	DR30-10124A	Motor Gear	1
23	DR60-10102-HX	Clutch Assembly (810)	1
	DR60-10174	Clutch Assembly (811)	1
	DR60-10187	Clutch Assembly (812)	1
24	DR11-10100	Washer	1
25	DR30-10118A	Planet Gear	3
26	DR30-10119	Planet Shaft	1
27	DR30-10148	Gear	1
	DR30-10120	Gear	1
28	DR30-10118A	Planet Gear (810/811)	3
	DR30-10121	Planet Gear (812)	3

Ref #	Part Number	Description	Qty
29	DR30-10119	Planet Shaft	1
30	DR20-10027	Bearing	1
31	DR60-10105	Gear Case	1
32	DR60-10019	Upper Clutch (810)	1
	DR60-10022	Upper Clutch (811)	1
	DR60-10023	Upper Clutch (812)	1
33	DR20-10028	Bearing	1
34	DR13-10018	Steel Ball - 3.15mm	2
35	DR11-10102	Stop Pilot	1
36	DR13-10016	Steel Ball - 3mm	2
37	DR31-10013	Output Shaft	1
38	DR12-10008	C-Ring	1
39	DR15-10037A	Pin	2
40	DR31-10014	Bit Holder - 1/4" hex	1
41	DR13-10017	Steel Ball - 2.5mm	2
42	DR11-10099	Clutch Plate	1
43	DR97-31001	Clutch Spring (810)	1
	DR97-31101	Clutch Spring (811)	1
	DR97-81201	Clutch Spring (812)	1
44	DR16-10019	Spring Cup	1
45	DR14-10047	Triangle Spring (810/811)	1
	DR14-10068	Triangle Spring (812)	1
46	DR16-10017	Clutch Spring Seat	1
47	DR20-10029	Bearing	1
48	DR60-10106	Clutch Case	1
49	DR14-10044	Bit Retaining Spring	1
50	DR16-10016	Bit Sleeve	1
51	DR12-10010	C-Ring	1
52	DR15-10038	Torque Adjusting Pin	4
53	DR11-10101	Torque Adjusting Nut	1
54	DR11-10141-STD	Housing Nut	1
	DR11-10141	Housing Nut (ESD)	1
55	DR40-10147	Grounding Strip	1
56	DR14-10055	Trigger Spring	1
57	DR96-66002WH	Whip Cable Assy, 150mm	1

Subject to change without notice



Delta Regis Model #CESL810S (r0) (CE/RoHS)

### Delta Regis Model #CESL810S (r0) (CE/RoHS) - Parts List

Ref #	Part Number	Description	Qty
1	DR96-66002	Cable Assembly, 2m	1
2	DR80-10141A	Suspension Ring	1
3	DR40-10153-STD	Trigger Assembly	1
	DR40-10153	Trigger Assembly - ESD	1
4	DR80-10224-STD	Housing (Label Side)	1
	DR80-10224	Housing (Label Side) - ESD	1
5	DR80-10225-STD	Housing	1
	DR80-10225	Housing - ESD	1
6	DR40-10125	Start Switch	1
7	DR15-10036A	Push Rod	1
8	DR12-10039	Fixture	1
9	DR40-10125	Shut-off Switch	1
10	DR10-10042	Screw	2
11	DR40-10154	Fwd/Rev Switch	1
12	DR80-10137	Fwd/Rev Switch Cover	1
13	DR40-10188-6BN	Control Board	1
14	DR10-10045	Screw	2
	DR10-10048	Screw (ESD models)	2
15	DR40-10156	Insulating Washer, 0.8mm (ESD)	4
16	DR10-10032	Housing Screw	3
17	DR15-10070	Push Rod	1
18	DR15-10077	Push Rod	1
19	DR15-10071	Push Rod	1
20	DR10-10049	Screw	4
21	DR54-10045	Motor Assembly	1
22	DR30-10149	Motor Gear	1
23	DR60-10188	Clutch Assembly	1
24	DR11-10100	Washer	1
25	DR30-10118M	Planet Gear	3
26	DR30-10055A	Planet Shaft	1
27	DR30-10150	Gear	1
28	DR30-10118M	Planet Gear	3
29	DR30-10056A	Planet Shaft	1

Ref #	Part Number	Description	Qty
30	DR20-10027	Bearing	1
31	DR60-10105	Gear Case	1
32	DR60-10019	Upper Clutch	1
33	DR20-10028	Bearing	1
34	DR13-10018	Steel Ball - 3.15mm	2
35	DR11-10102	Stop Pilot	1
36	DR13-10016	Steel Ball - 3mm	2
37	DR31-10013	Output Shaft	1
38	DR12-10008	C-Ring	1
39	DR15-10037A	Pin	2
40	DR31-10014	Bit Holder - 1/4" hex	1
41	DR13-10017	Steel Ball - 2.5mm	2
42	DR11-10099	Clutch Plate	1
43	DR97-31001	Clutch Spring	1
44	DR16-10019	Spring Cup	1
45	DR14-10047	Triangle Spring	1
46	DR16-10017	Clutch Spring Seat	1
47	DR20-10029	Bearing	1
48	DR60-10106	Clutch Case	1
49	DR14-10044	Bit Retaining Spring	1
50	DR16-10016	Bit Sleeve	1
51	DR12-10010	C-Ring	1
52	DR15-10038	Torque Adjusting Pin	4
53	DR11-10101	Torque Adjusting Nut	1
54	DR11-10141-STD	Housing Nut	1
	DR11-10141	Housing Nut (ESD)	1
55	DR40-10147	Grounding Strip	1
56	DR14-10055	Trigger Spring	1
57	DR96-66002WH	Whip Cable Assy, 150mm	1

Subject to change without notice