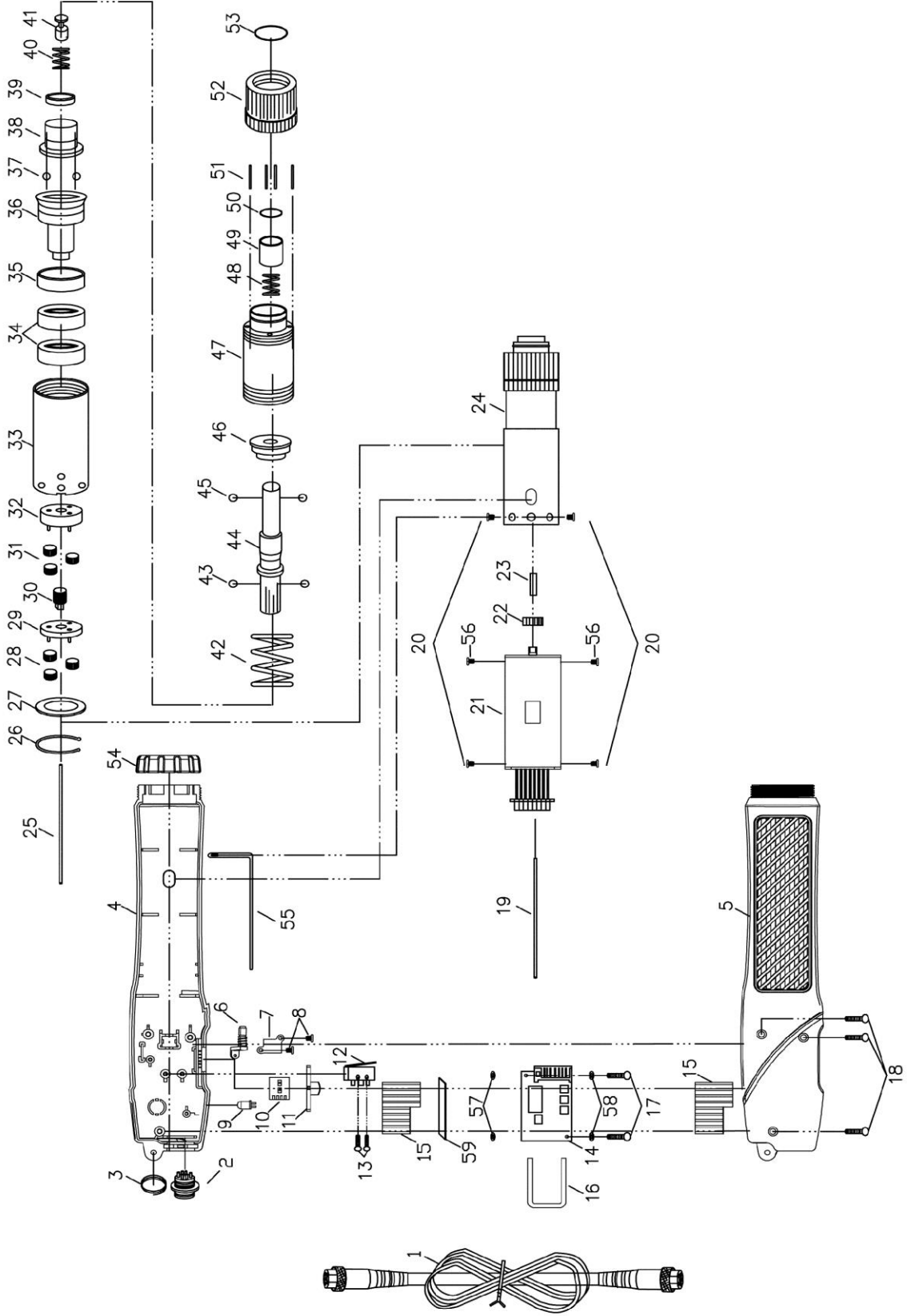


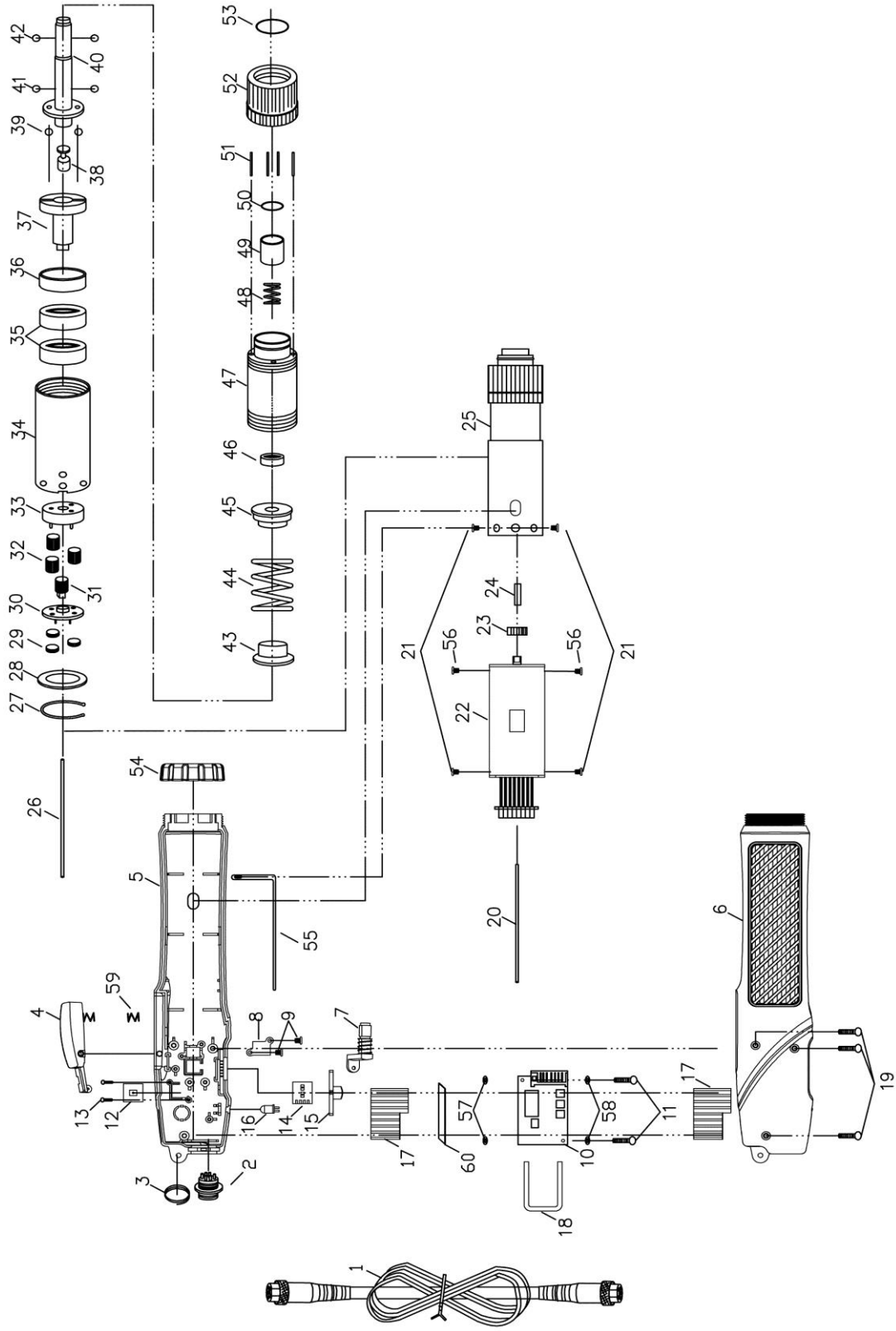
Delta Regis Model #CESL827(r0) (CE/RoHS)

Delta Regis Model #CESL827(-ESD) (r0) (CE/RoHS) - Parts List

Ref #	Part Number	Description	Qty	Ref #	Part Number	Description	Qty
1	DR96-66002	Cable Assy - 2M, 6 pin	1	30	DR30-10129	Planet Shaft	1
2	DR40-10187	Connector Assy	1	31	DR30-10130	Gear	1
3	DR80-10141A	Suspension Ring	1	32	DR30-10131	Planet Gear	3
4	DR40-10143	Trigger Assembly	1	33	DR30-10132	Planet Shaft	1
	DR40-10143-ESD	Trigger Assembly, ESD	1	34	DR60-10134	Gear Case	1
5	DR80-10234A	Housing, Std (Label Side Assy)	1	35	DR20-10032	Bearing	2
	DR80-10234A-ESD	Housing, ESD (Label Side Assy)	1	36	DR11-10127	Ring	1
6	DR80-10235A	Housing, Standard	1	37	DR60-10135	Upper Clutch	1
	DR80-10235-ESD	Housing, ESD	1	38	DR11-10133	Stop Pilot	1
7	DR15-10065A	Push Rod	1	39	DR13-10021	Steel Ball - 5.0mm	2
8	DR12-10037	Fixture	1	40	DR31-10034	Output Shaft	1
9	DR10-10046	Screw	2	41	DR13-10019	Steel Ball - 4.0mm	2
10	DR40-10188-3BN	Control Board	1	42	DR13-10017	Steel Ball - 2.5mm	2
11	DR10-10045	Screw	2	43	DR16-10036	Clutch Spring Plate	1
	DR10-10048	Screw - ESD models	2	44	DR97-62801	Clutch Spring	1
12	DR40-10145B	Control Board - Start	1	45	DR11-10111	Clutch Spring Plate	1
13	DR10-10047	Screw	2	46	DR20-10040	Bearing	1
14	DR40-10146B	Control Board - Fwd/Rev	1	47	DR60-10136A	Clutch Case	1
15	DR80-10238	Fwd/Rev Button	1	48	DR14-10064	Bit Spring	1
16	DR40-10149A	LED	1	49	DR16-10018	Bit Sleeve	1
17	DR40-10151B	Heat Sink	2	50	DR12-10010	C-Ring	1
18	DR12-10038A	Clamp	1	51	DR15-10042	Torque Adjusting Pin	4
19	DR10-10032	Screw	3	52	DR11-10109	Torque Adjusting Nut	1
20	DR15-10066	Push Rod	1	53	DR12-10015	C-Ring	1
21	DR10-10049	Screw	4	54	DR11-10147	Housing Nut	1
22	DR54-10041	Motor Assembly	1		DR11-10147-ESD	Housing Nut - ESD	1
23	DR30-10083	Gear	1	55	DR40-10152A	Grounding Strip	1
24	DR15-10077	Push Rod	1	56	DR10-10060	Screw	2
25	DR60-10165	Clutch Assembly	1	57	DR40-10156	Insulating Washer - ESD (0.8mm)	2
26	DR15-10067	Push Rod	1	58	DR11-10154	Insulating Washer - ESD (0.3mm)	2
27	DR12-10014	C-Ring	1	59	DR14-10056	Trigger Spring	1
28	DR11-10108	Washer	1	60	DR11-10159	Gasket	1
29	DR30-10128	Planet Gear	3				



Delta Regis Model #CESL827P (r0) (CE/RoHS)

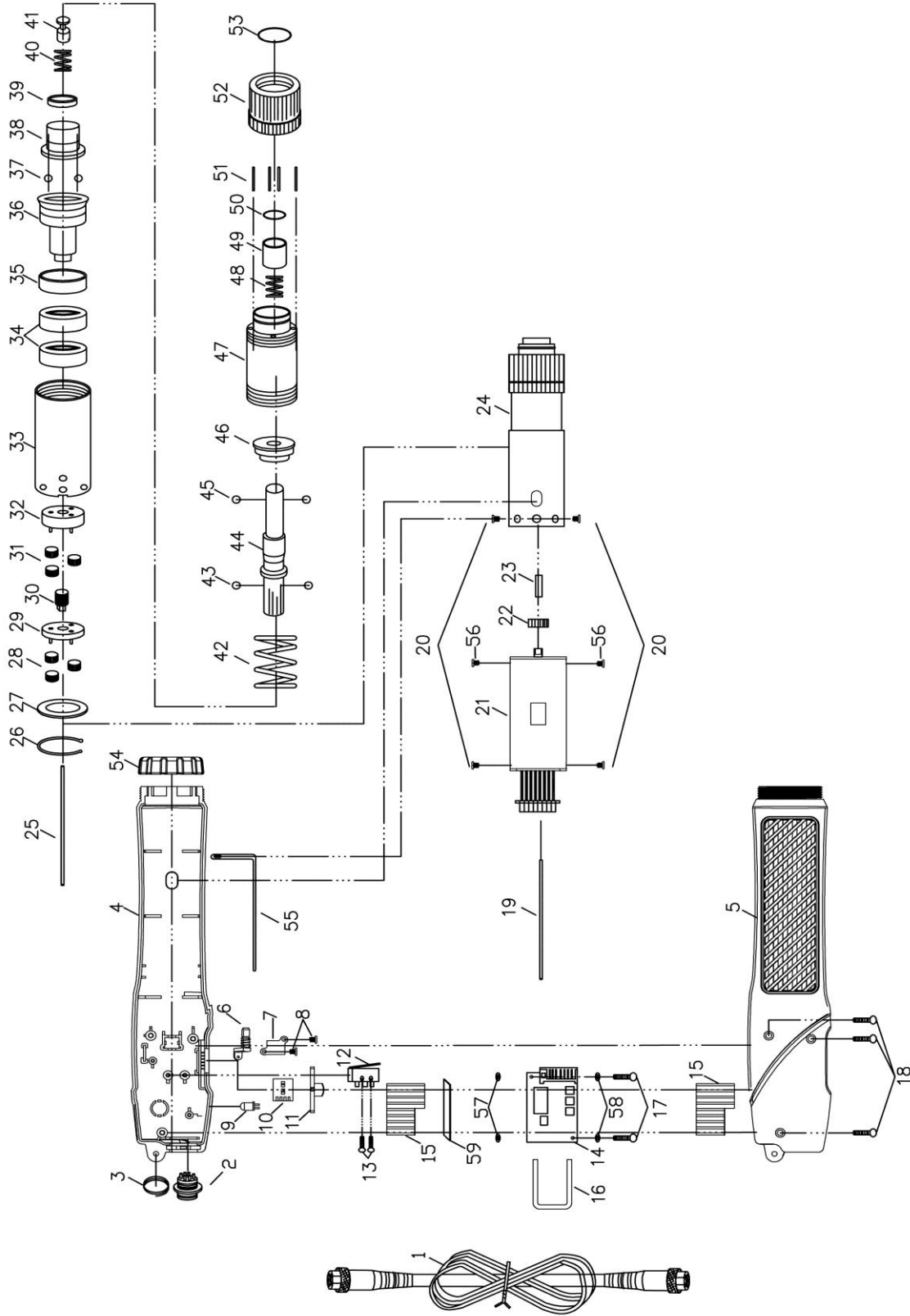


Delta Regis Model #CESL828-829(ro) (CE/RoHS)

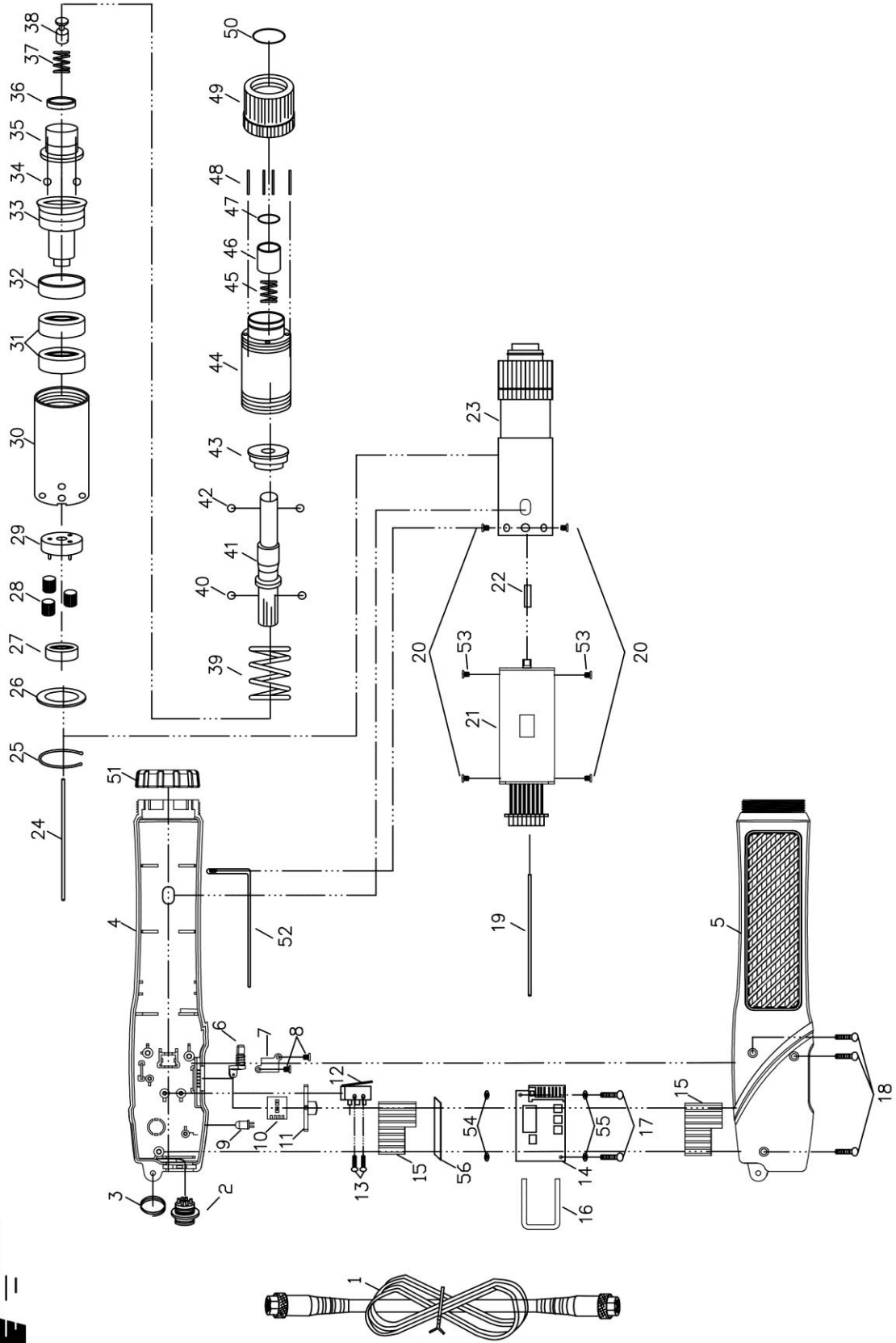
Delta Regis Model #CESL828-829(-ESD) (r0) (CE/RoHS) - Parts List

Ref #	Part Number	Description	Qty
1	DR96-10016M	Cable Assy - 2M, 6 pin	1
2	DR40-10189	Connector Assy	1
3	DR80-10141A	Suspension Ring	1
4	DR40-10143	Trigger Assembly	1
	DR40-10143-ESD	Trigger Assembly, ESD	1
5	DR80-10234A	Housing, Standard (Label Side As	1
	DR80-10234A-ESD	Housing, ESD (Label Side Assy)	1
6	DR80-10235A	Housing, Standard	1
	DR80-10235-ESD	Housing, ESD	1
7	DR15-10065A	Push Rod	1
8	DR12-10037	Fixture	1
9	DR10-10046	Screw	2
10	DR40-10188-4BN	Control Board	1
11	DR10-10045	Screw	2
	DR10-10048	Screw - ESD models	2
12	DR40-10145C	Control Board - Start	1
13	DR10-10047	Screw	2
14	DR40-10146B	Control Board - Fwd/Rev	1
15	DR80-10218	Fwd/Rev Button (829)	1
	DR80-10217	Fwd/Rev Button (828)	1
16	DR40-10149A	LED	1
17	DR40-10151B	Heat Sink	2
18	DR12-10038A	Clamp	1
19	DR10-10032	Screw	3
20	DR15-10066	Push Rod	1
21	DR10-10049	Screw	4
22	DR54-10036	Motor Assembly	1
23	DR30-10083	Gear	1
24	DR15-10077	Push Rod	1
25	DR60-10165	Clutch Assembly (828)	1
	DR60-10175	Clutch Assembly (829)	1
26	DR15-10067	Push Rod	1
27	DR12-10014	C-Ring	1
28	DR11-10108	Washer	1
29	DR30-10128	Planet Gear	3

Ref #	Part Number	Description	Qty
30	DR30-10129	Planet Shaft	1
31	DR30-10130	Gear	1
32	DR30-10131	Planet Gear	3
33	DR30-10132	Planet Shaft	1
34	DR60-10134	Gear Case	1
35	DR20-10032	Bearing	2
36	DR11-10127	Ring	1
37	DR60-10135A	Upper Clutch	1
38	DR11-10133	Stop Pilot	1
39	DR13-10021	Steel Ball - 5.0mm	3
40	DR31-10030A	Output Shaft	1
41	DR13-10019	Steel Ball - 4.0mm	2
42	DR13-10017	Steel Ball - 2.5mm	2
43	DR16-10036A	Clutch Spring Plate	1
44	DR97-62801	Clutch Spring (828)	1
	DR97-62904	Clutch Spring (829)	1
45	DR11-10111	Clutch Spring Plate	1
46	DR20-10040	Bearing	1
47	DR60-10136A	Clutch Case	1
48	DR14-10064	Bit Spring	1
49	DR16-10018	Bit Sleeve	1
50	DR12-10010	C-Ring	1
51	DR15-10042	Torque Adjusting Pin	4
52	DR11-10109	Torque Adjusting Nut	1
53	DR12-10015	C-Ring	1
54	DR11-10147	Housing Nut	1
	DR11-10147-ESD	Housing Nut - ESD	1
55	DR40-10152A	Grounding Strip	1
56	DR10-10060	Screw	2
57	DR40-10156	Insulating Washer, ESD models (0.8mm)	2
58	DR11-10154	Insulating Washer, ESD models (0.3mm)	2
59	DR14-10056	Trigger Spring	1
60	DR11-10159	Gasket	1



Delta Regis Model #CESL828P, 829P (r0) (CE/RoHS)



Delta Regis Model #CESL828PF (r0) (CE/RoHS) - Parts List

Ref #	Part Number	Description	Qty
1	DR96-10016M	Cable Assy - 2M, 6 pin	1
2	DR40-10189	Connector Assy, 6 pin	1
3	DR80-10141A	Suspension Ring	1
4	DR80-10236A	Housing (Label Side)	1
	DR80-10236A-ESD	Housing - ESD (Label Side)	1
5	DR80-10237	Housing	1
	DR80-10237-ESD	Housing - ESD	1
6	DR15-10065A	Push Rod	1
7	DR12-10037	Fixture	1
8	DR10-10046	Screw	2
9	DR40-10149A	LED	1
10	DR40-10146B	PCB - Fwd/Rev Switch	1
11	DR80-10218	Fwd/Rev Button	1
12	DR40-10125	Shut-off Switch	1
13	DR10-10052	Screw	2
14	DR40-10188-4BN	Control Board	1
15	DR40-10151B	Heat Sink	2
16	DR12-10038A	Clamp	1
17	DR10-10045	Screw	2
	DR10-10048	Screw - ESD Models	2
18	DR10-10032	Screw	3
19	DR15-10079*	Push Rod	1
20	DR10-10049	Screw	4
21	DR54-10037	Motor Assembly	1
22	DR15-10077	Push Rod	1
23	DR60-10178	Clutch Assembly (828PF)	1
24	DR15-10067	Push Rod	1
25	DR12-10014	C-Ring	1
26	DR11-10108	Washer	1
27	DR11-10148	Spacer	1
28	DR30-10146	Planet Gear	3
*DR15-10079 push rod must be replaced by authorized service depot			

Ref #	Part Number	Description	Qty
29	DR30-10147	Planet Shaft	1
30	DR60-10134	Gear Case	1
31	DR20-10032	Bearing	2
32	DR11-10127	Ring	1
33	DR60-10179	Upper Clutch	1
34	DR13-10021	Steel Ball - 5.0mm	2
35	DR16-10025	Clutch Spring Plate	1
36	DR11-10128	Spring Cap	1
37	DR14-10054	Spring	1
38	DR11-10163	Stop Pilot	1
39	DR97-62802	Clutch Spring (828P)	1
40	DR13-10019	Steel Ball - 4.0mm	2
41	DR31-10032	Output Shaft	1
42	DR13-10017	Steel Ball - 2.5mm	2
43	DR11-10111	Clutch Spring Plate	1
44	DR60-10164	Clutch Case	1
45	DR14-10063	Bit Retainer Spring	1
46	DR16-10018	Bit Sleeve	1
47	DR12-10010	C-Ring	1
48	DR15-10042	Torque Adjusting Pin	4
49	DR11-10109	Torque Adjusting Nut	1
50	DR12-10015	C-Ring	1
51	DR11-10147	Housing Nut	1
	DR11-10147-ESD	Housing Nut - ESD	1
52	DR40-10152A	Grounding Strip	1
53	DR10-10061	Screw	2
54	DR40-10156	Insulating Washer -ESD Models (0.8mm)	2
55	DR11-10154	Insulating Washer -ESD Models (0.3mm)	2
56	DR11-10159	Gasket	1

Updated Sep 2016, subject to change without notice