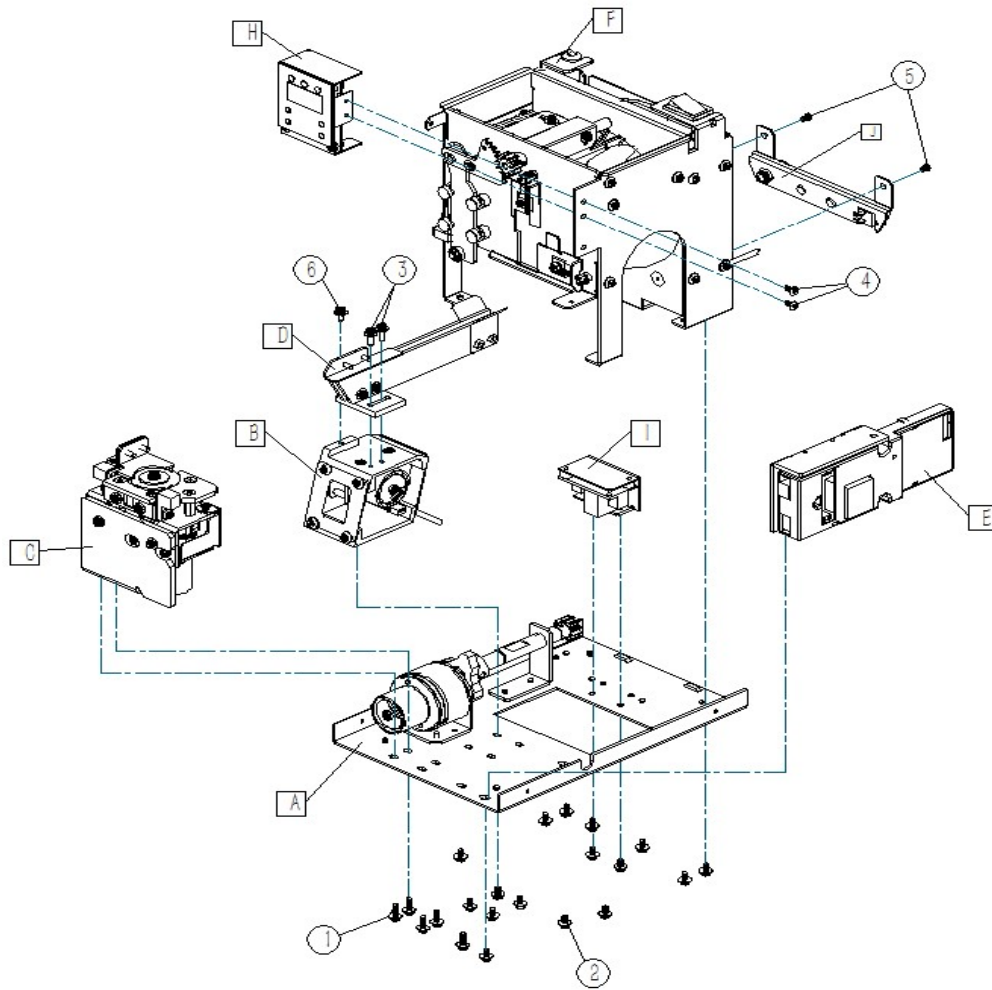
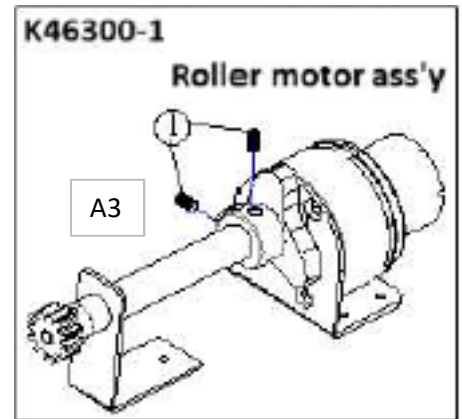
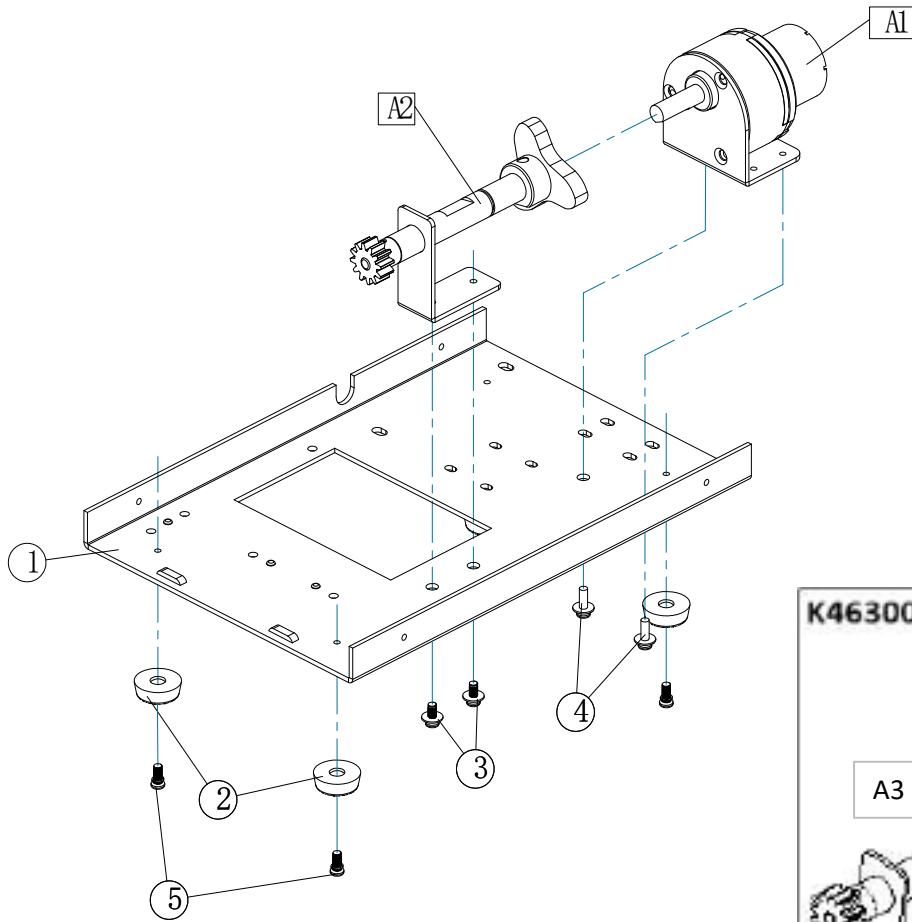


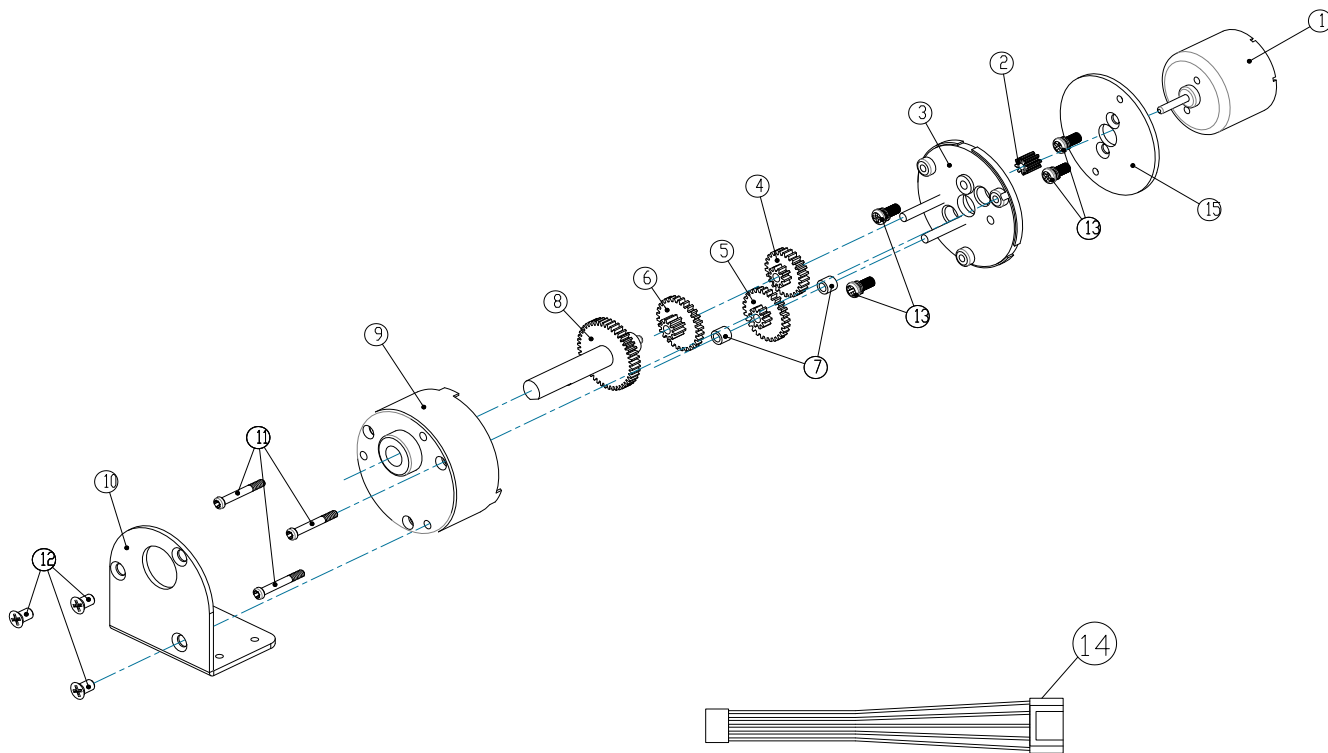
NO.	PARTS NO.	PARTS NAME	QTY
1	DR-K84400-7	Front housing	1
2	DR-K84400-9	Left housing	1
3	DR-K84400-10	Rear housing	1
4	DR-K84400-8	Right housing	1
5	DR-CH20504-3	M3*5 pan head screw	14
6	DR-KFR-0815-2	Adaptor	1
7	DR-AA60005	Cord	1
G	DR-KR86100-13	Accessory box	1
FR	DR-KR87400A	Screw feeder ass'y	1



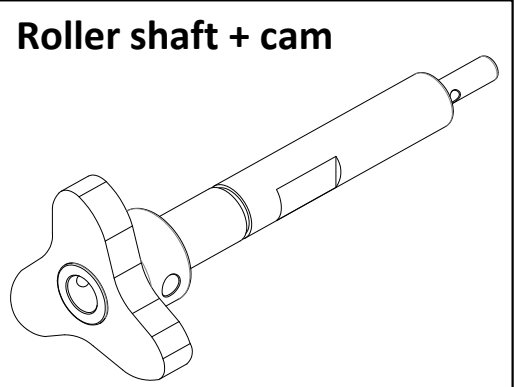
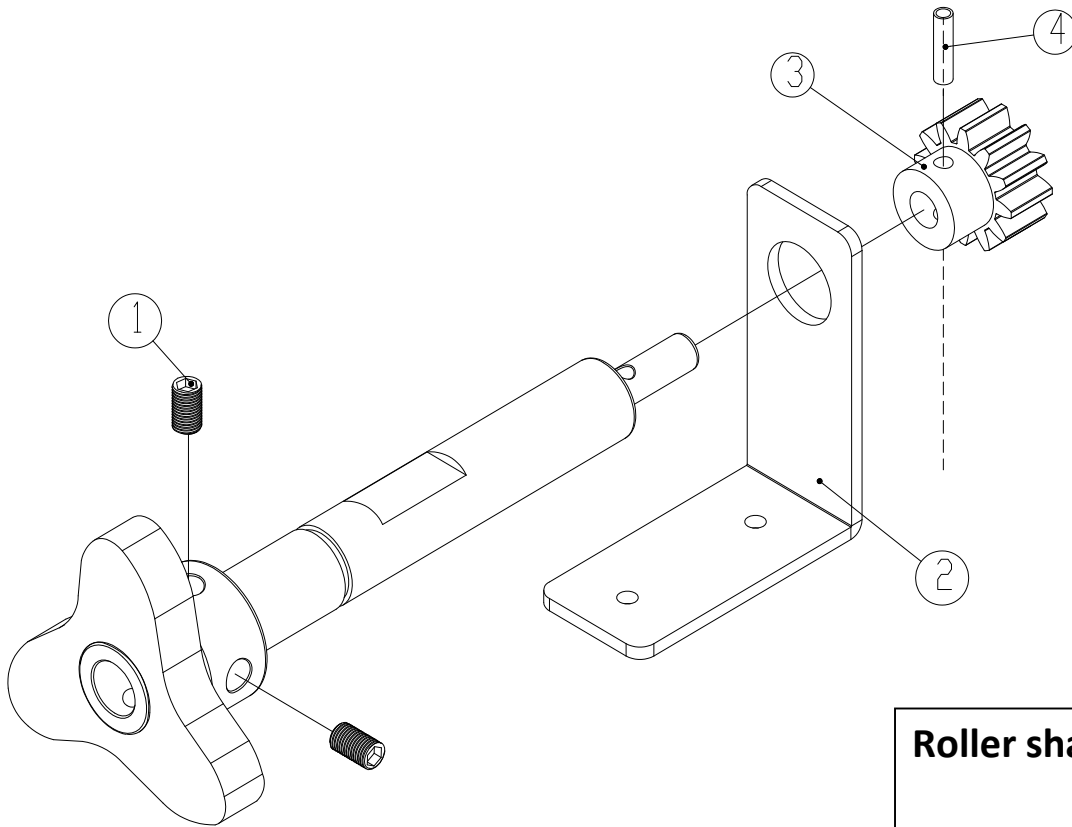
NO.	PARTS NO.	PARTS NAME	QTY
A	DR-K41331	Base ass'y	1
B	DR-KR44202	Vibration ass'y	1
C	DR-KR10012-1A	Distribution ass'y	1
D	DR-KR48161	Rail ass'y	1
E	DR-K37111	PCB ass'y	1
F	DR-KR42300-5	Chamber ass'y	1
H	DR-K35303-1	Counter ass'y	1
I	EDR-34001-13	Relay ass'y	1
J	DR-KR41600	Power ass'y	1
1	DR-CH20505-2	3 in 1 screw M2.6*8mm (Nickel)	5
2	DR-CH20505-1	3 in 1 screw M2.6*5mm (White)	16
3	DR-CH20506-18	Hex socket head screw M2.6*8	2
4	DR-CH20504-5	Truss M2.6*5mm (Nylok)	2
5	DR-CH20505-7	Pan M3*6mm (Nickel)	2
6	DR-CH20102-21	Hex socket head screw M2.6*5 with washer (Black)	1



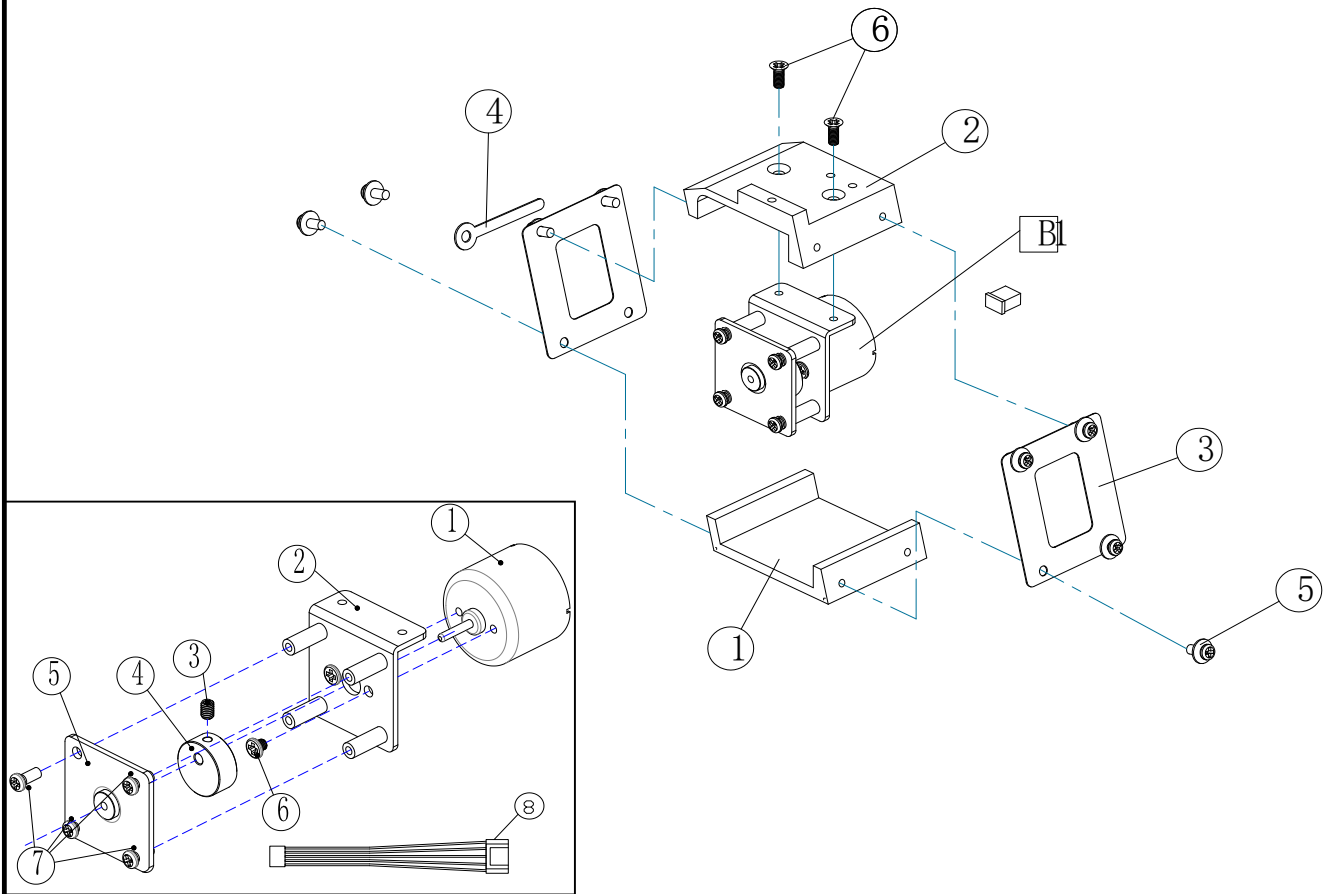
NO.	PARTS NO.	PARTS NAME	QTY
1	DR-K41331-1	Base plate	1
2	DR-K45200-2	Footer (5mm)	4
3	DR-CH20505-1	3 in 1 screw M2.6*5mm (Nickel)	2
4	DR-CH20505-2	3 in 1 screw M2.6*8mm (Nickel)	2
5	DR-CH20505-1	3 in 1 screw M2.6*5mm (Nickel)	4
A1	DR-K46300	Semi-finished gear motor	1
A2	DR-KR46100-2	Semi-finished roller shaft	1
A3	DR-K46300-1	Roller motor ass'y	1
1	DR-CH30003-5	Set screw M4*6	2



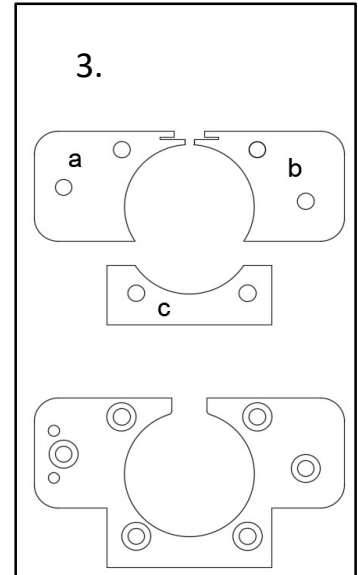
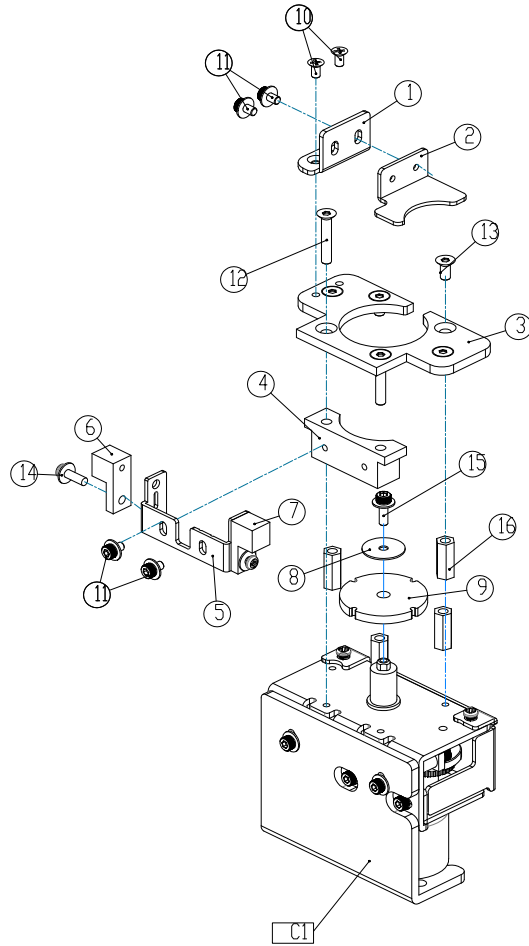
NO.	PARTS NO.	PARTS NAME	QTY
1	DR-KR44302	Motor (w/o wire)	1
2	DR-KS10076-1	Motor main gear(copper)	1
3	DR-K21601-1	Front gear box fixture	1
4	DR-KS10046-1	Gear (pom)	1
5	DR-KS10046-2	Gear (thin)	1
6	DR-KS10046-3	Gear (thick)	1
7	DR-GR20800	Copper insert	2
8	DR-K48213	Output shaft	1
9	DR-K48212	Gear box cap	1
10	DR-K48300	Gear motor fixture	1
11	DR-CH20511-4	Round head screw M2.6*15mm (gear motor)	3
12	DR-CH20504-1	M3*6 (gear motor)	3
13	DR-CH20505-5	M2.6*5 (gear motor)	4
14	DR-K48401	Motor power wire	1
15	DR-K21601-2	Gear box fixture	1



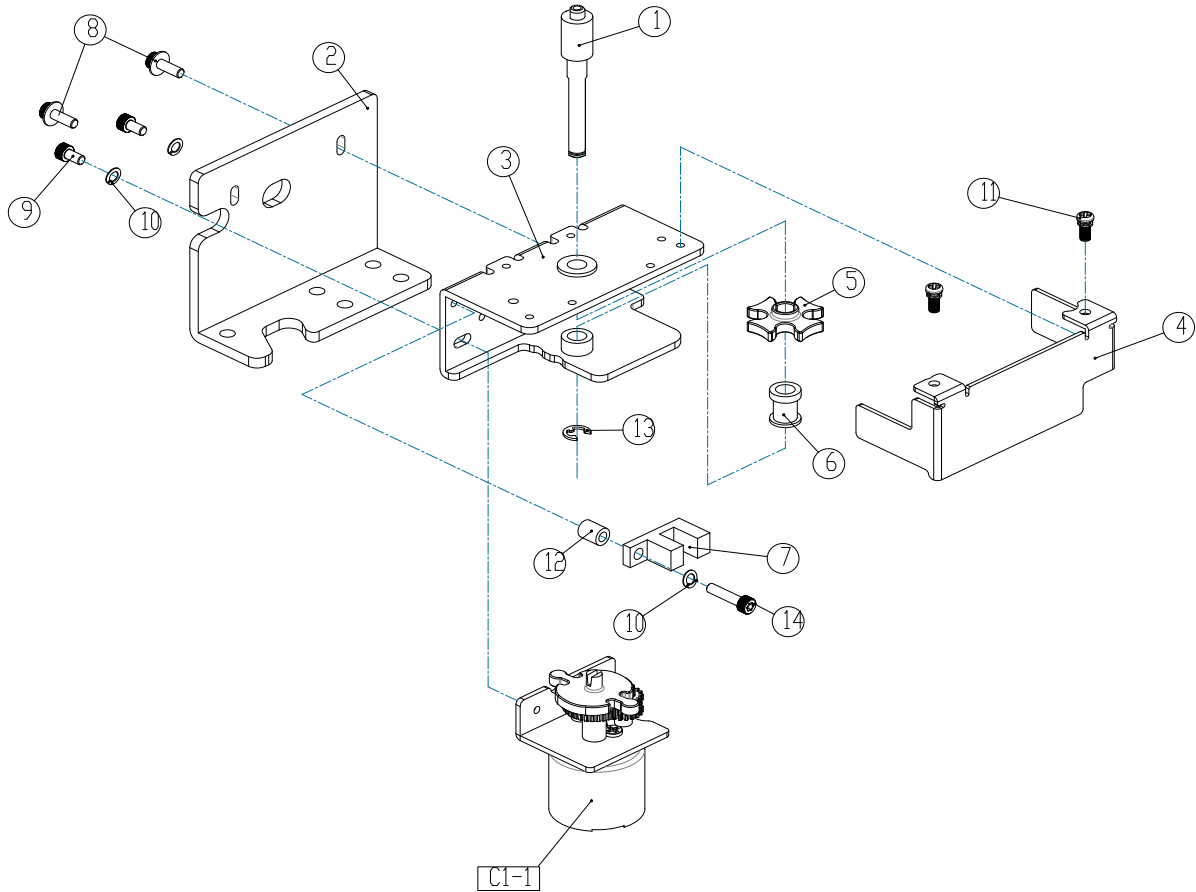
NO.	PARTS NO.	PARTS NAME	QTY
A	DR-K58200	Roller shaft + cam	1
1	DR-CH20506-3	Set screw M4*6 (Nylok)	2
2	DR-K57210	Shaft bracket	1
3	DR-K48700	M1 gear	1
4	DR-K48800	Spring pin 2.8*8L	1



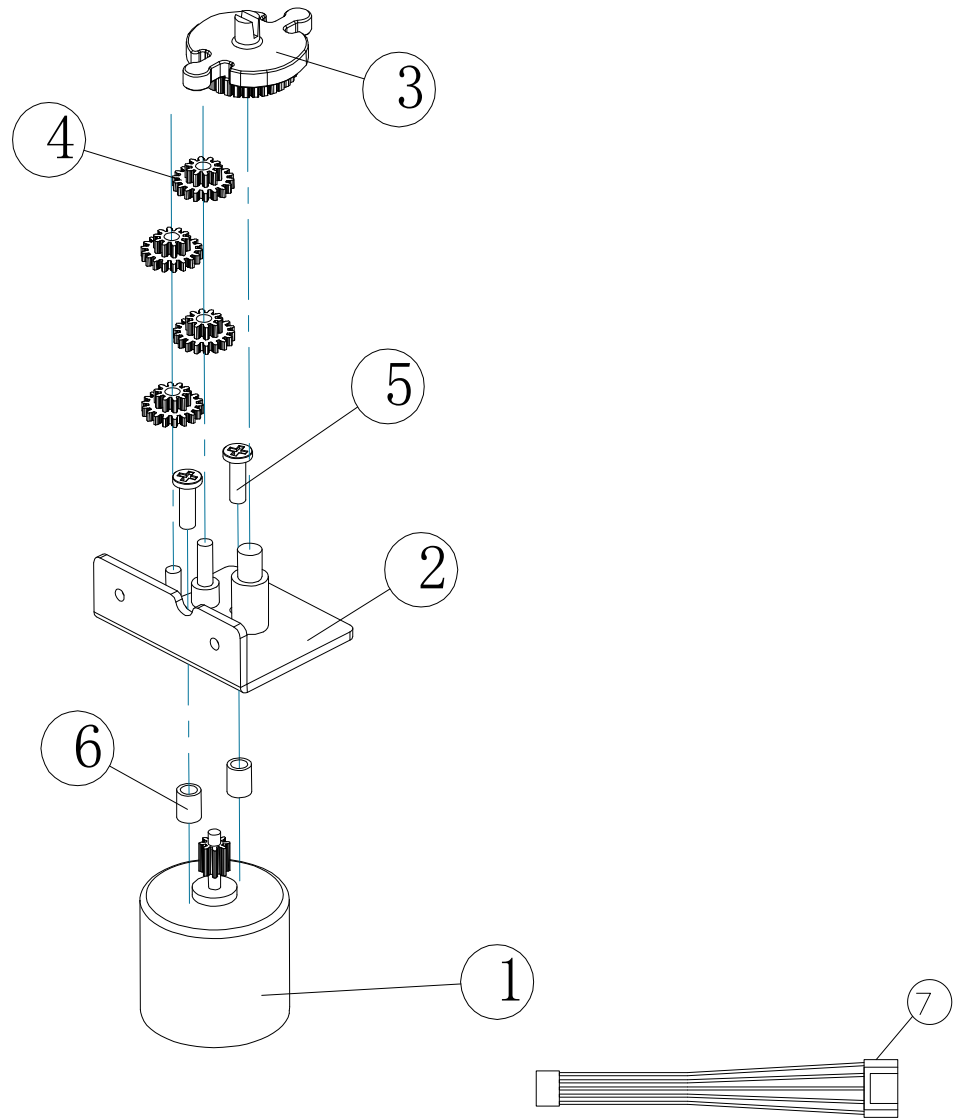
NO.	PARTS NO.	PARTS NAME	QTY
1	DR-K15400	Vibration motor lower base	1
2	DR-K16201	Vibration motor upper base	1
3	DR-K17200	Vibration plate	4
4	DR-K49200	Coaching clip	1
5	DR-CH20505-1	3 in 1 Screw M2.6*5	8
6	DR-CH20504-21	Pan screw M2.6*6	2
B1	DR-KR44201	Horizontal vibration motor ass'y (w/o wire)	1
1	DR-KR44303	DC brushless motor (w/o wire)	1
2	DR-K16300	DC brushless motor base-3	1
3	DR-CH30003-3	Set screw M3*4	1
4	DR-K19200-2	Eccentric wheel	1
5	DR-K18201-1	Brushless vibration motor fixture-3	1
6	DR-CH20504-16	Pan screw M2.6*3mm	2
7	DR-CH20505-5	Screw M2.6*5	4
8	DR-KR10001-1	Motore power wire	1



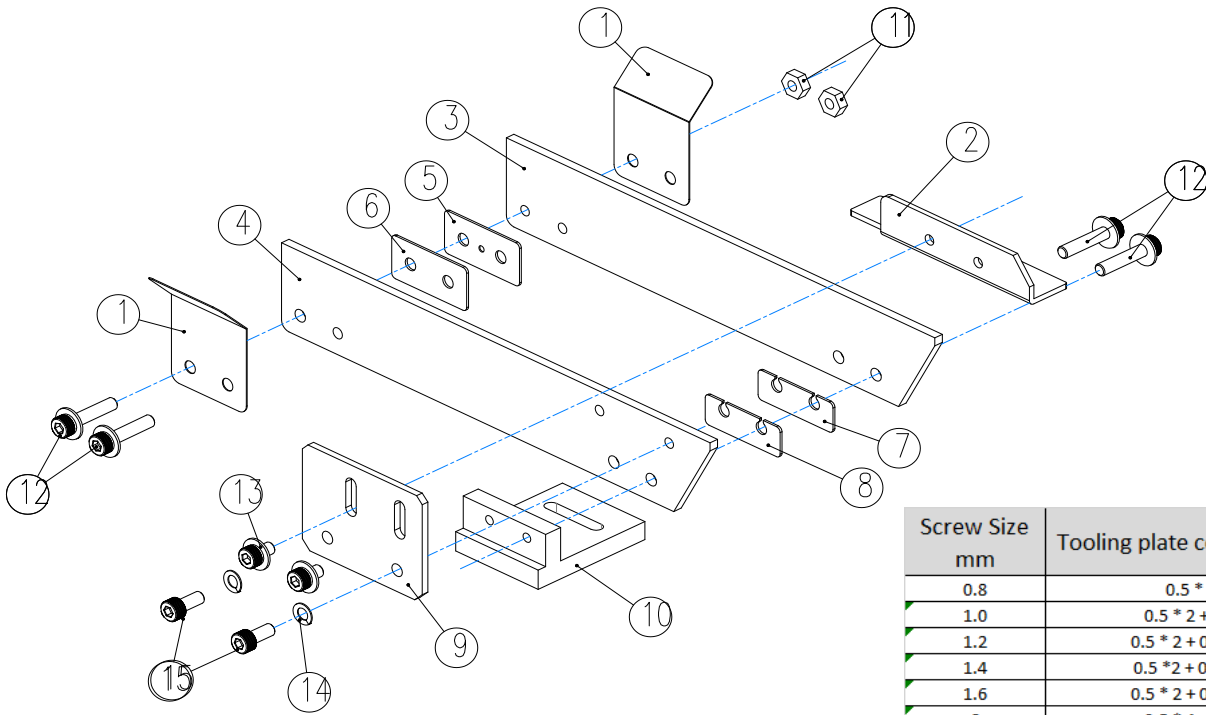
NO.	PARTS NO.	PARTS NAME	QTY	
1	DR-K09301-2	Distribution bracket 1	1	
2	DR-K09301	Distribution bracket 2	1	
3	DR-KR10011A-(2.3~5.0)	Distribution plate ass'y (2.3~5.0)	1	
	DR-KR10007A-4-(0.8~2.0)	Left distribution plate (manual) (0.8~2.0)		
	DR-KR10007A-3-(0.8~2.0)	Right distribution plate (manual) (0.8~2.0)		
	DR-KR10009	Front distribution plate 2.0 and under (including 2.0)		
4	DR-K22302	Sensor support plate (auto)	1	
5	DR-K23201	Sensor bracket	1	
6	DR-K25100A-1	Left sensor (receiver)	1	
7	DR-K25200A	Right sensor (sender)	1	
8	DR-K10128-1	Distribution plate spacer	1	
9	DR-KR10008A-0.8~5.0	Distribution plate	1	
10	DR-CH20504-21	Pan M2.6*6	2	
11	DR-CH20102-21	Hex socket head 3 in 1 screw M2.6*5 with washer (Black)	4	
12	DR-CH20504-24	Hex socket head screw M3*18	2	
13	DR-CH20504-25	Hex socket head screw M3*5	4	
14	DR-CH20505-2	3 in 1 Scrw M2.6*8	2	
15	DR-CH20102-21	Hex socket head screw M2.6*5 with washer (Black)	1	
16	DR-K18405-3	Distribution support rod 12.5mm	4	
C1	DR-KR10015	Semi-finished distribution ass'y	1	



NO.	PARTS NO.	PARTS NAME	QTY
1	DR-K19801	Mid disc shaft	1
2	DR-K24107	Disc fixed base	1
3	DR-K18399	Disc mount	1
4	DR-KS10066-1	Disc front plate	1
5	DR-K86131	Cross mechanism	1
6	DR-K19300-1	Height sleeve	1
7	DR-K25400-1	F sensor	1
8	DR-CH20506-18	Hex socket head screw M2.6*8 with washer	2
9	DR-CH20506-29	Hex socket head screw M2.6*6 (black)	2
10	DR-CH20301-16	Anti loose washer	3
11	DR-CH20505-5	Screw M2.6*5	2
12	DR-K19701	Limit set	1
13	DR-K63280-2	4mm snap ring	1
14	DR-CH20506-28	Hex socket head screw M2.6*12 (black)	1
C1-1	DR-KR46300-1	Semi-finished rotation motor	1

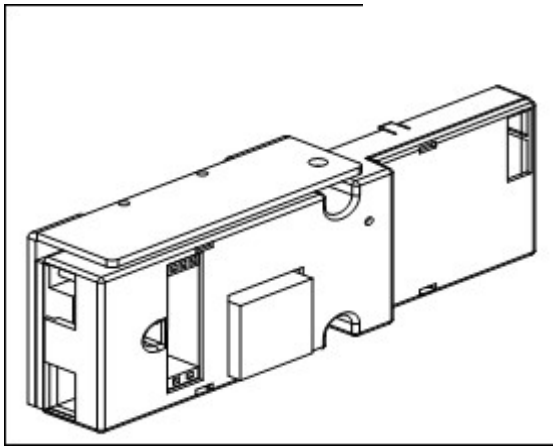
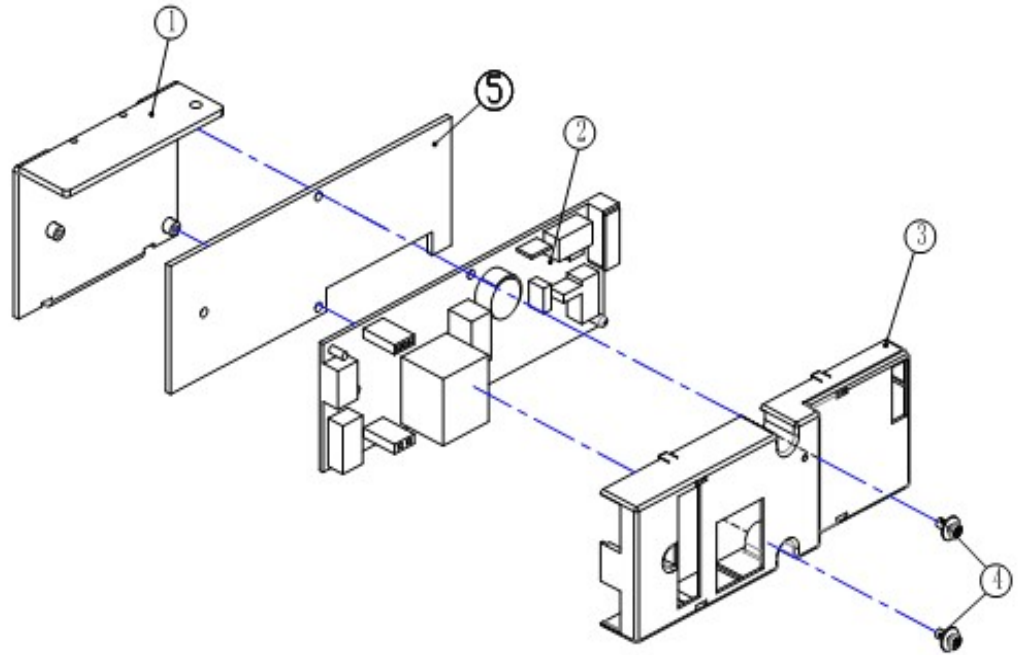


NO.	PARTS NO.	PARTS NAME	QTY
1	DR-KR44304	Brushless motor	1
2	DR-K18398	Motor gear fixture	1
3	DR-K86150-1	Cross mechanism gear	1
4	DR-K48701	Mid disc gear	4
5	DR-CH20504-23	Pan screw M2.6*8	2
6	DR-K19301	Bushing	2
7	DR-KR46299	Brushless motor wires	1

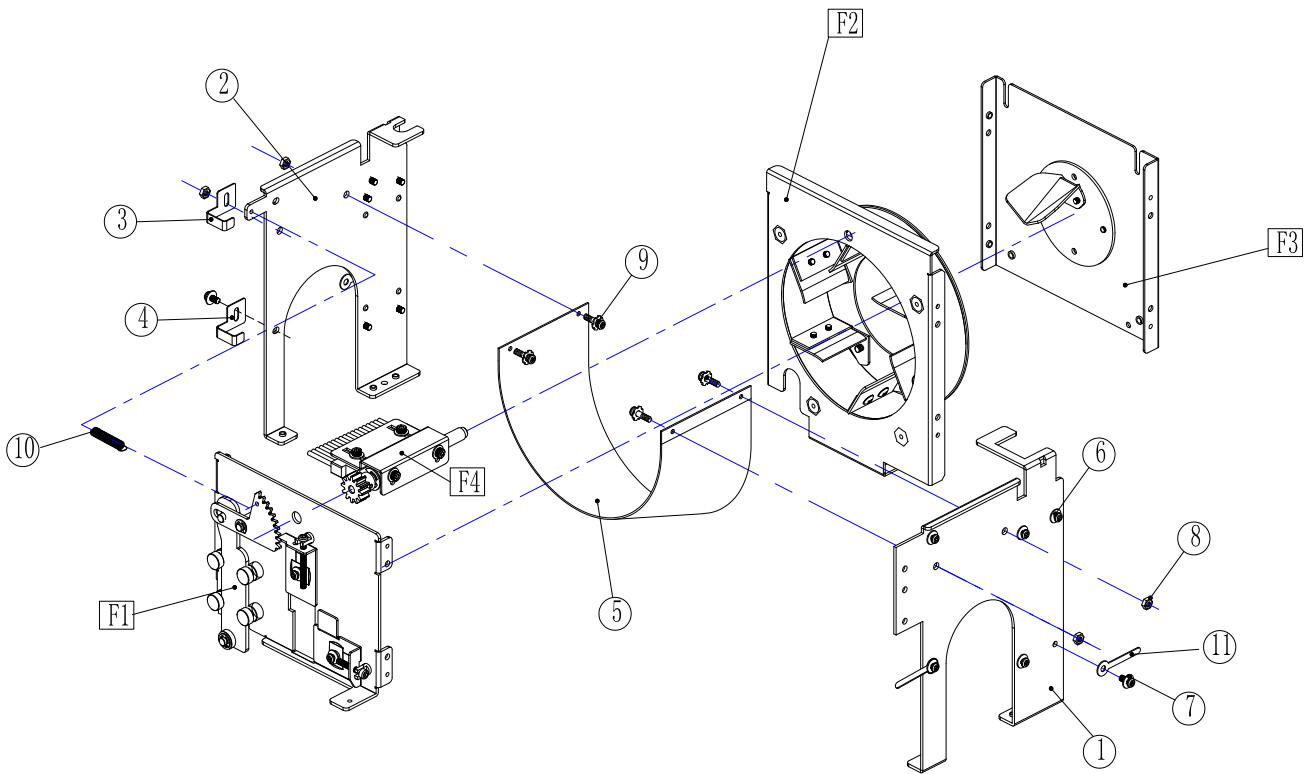


Screw Size mm	Tooling plate combination
0.8	0.5 * 2
1.0	0.5 * 2 + 0.2
1.2	0.5 * 2 + 0.2 * 2
1.4	0.5 * 2 + 0.2 * 3
1.6	0.5 * 2 + 0.2 * 4
2	0.5 * 4 + 0.2
2.3	0.5 * 5
2.6	0.5 * 4 + 0.2 * 4
3.0	0.5 * 6 + 0.2
3.5	0.5 * 7 + 0.2
4.0	0.5 * 8 + 0.2
4.5	0.5 * 9 + 0.2
5.0	0.5 * 10 + 0.2

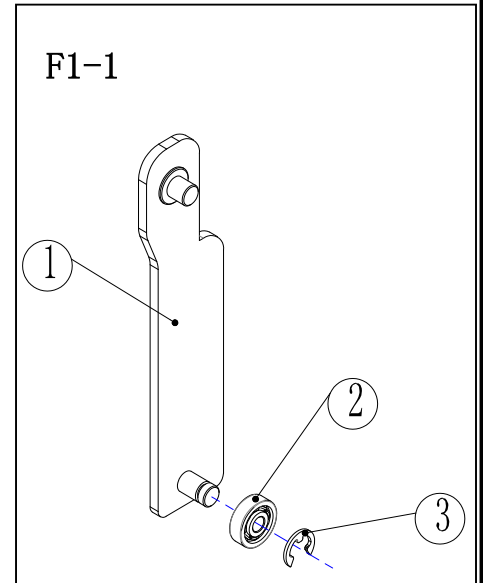
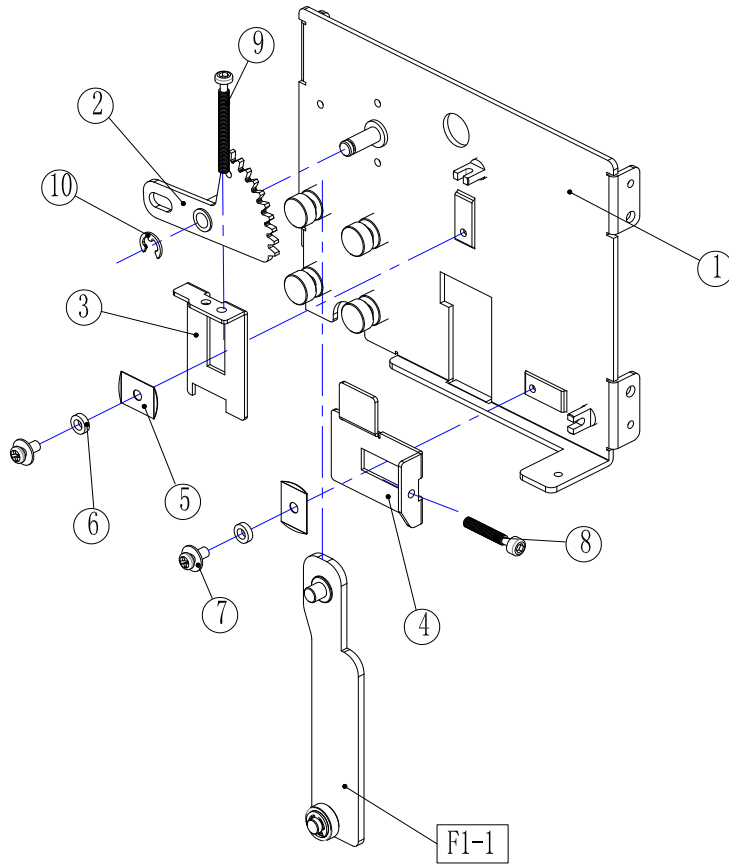
NO.	PARTS NO.	PARTS NAME-E	PARTS NAME-C	QTY
1	DR-K09101	Rear rail guide		2
2	DR-K09300-1	Rail fixer 1		1
3	DR-K09200-2	Righ rail		1
4	DR-K09200-3	Left rail		1
5	DR-K92002	Front tooling plate 0.2		See Schedule
6	DR-K92002-1	Front tooling plate 0.5		See Schedule
7	DR-K92100	Rear tooling plate 0.2		See Schedule
8	DR-K92110	Rear tooling plate 0.5		See Schedule
9	DR-K09500-1	Rail fixer 2		1
10	DR-K41311	Rail base mount		1
11	DR-CH20408-1	Bolt M2.6		2
12	DR-CH20505-4	Hex socket head screw M2.6 with washer (black)		4
13	DR-CH20102-21	Hex socket head screw M2.6*5 with washer(black)		2
14	DR-CH20301-16	Anti loose washer		2
15	DR-CH20506-29	Hex socket head screw M2.6*6 (black)		2



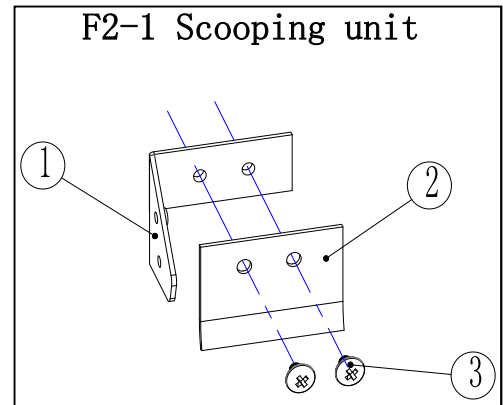
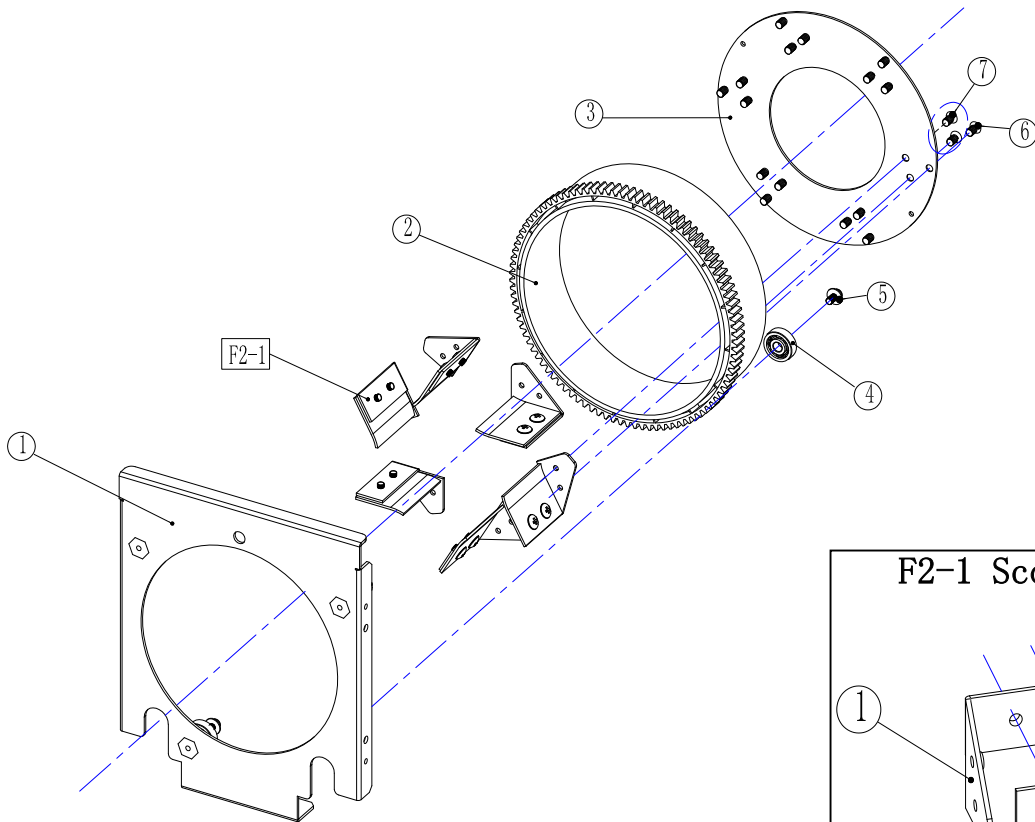
NO.	PARTS NO.	PARTS NAME		QTY	
1	DR-K35302	PCB bracket supporter		1	
2	DR-K37100-7	Counter PCB + foam		1	
3	DR-K37200	PCB case		1	
4	DR-CH20505-2	3 in 1 Screw M2.6*8		2	
5	DR-K38100-2	Foam		1	
E	DR-K35307	PCB + foam + pcb case		1	



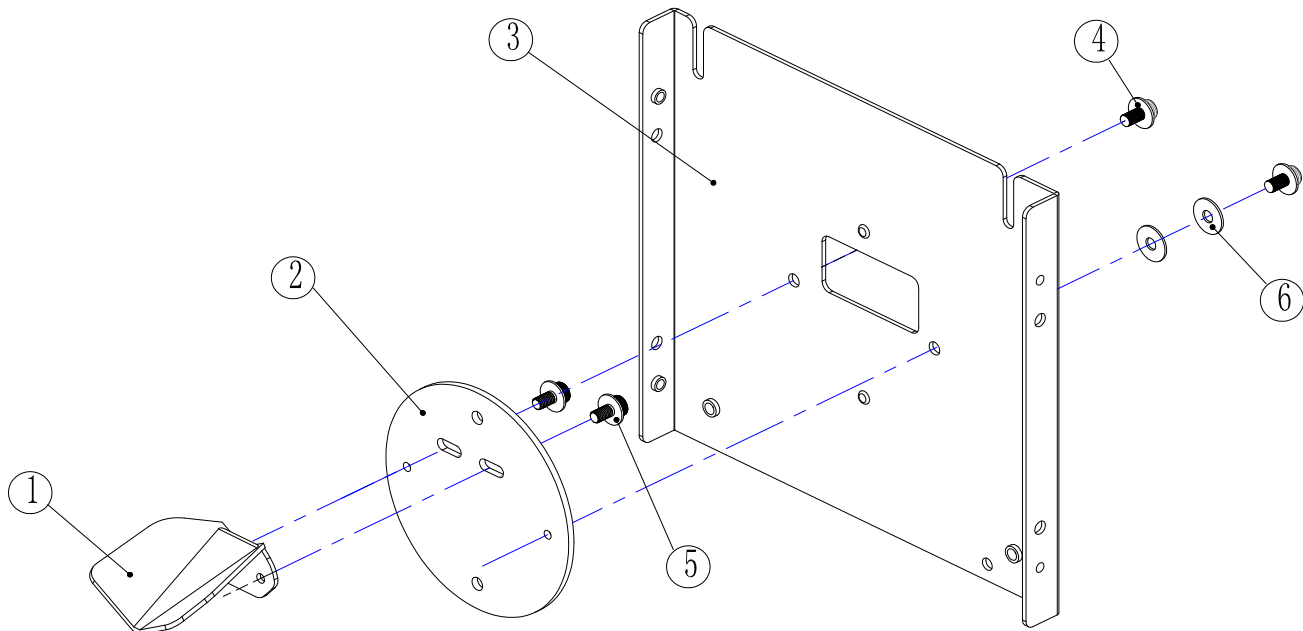
NO.	PARTS NO.	PARTS NAME	QTY
1	DR-K43401	Chamber right plate (L) counter type	1
2	DR-K42400	Chamber left plate (L)	1
3	DR-XZ0021-1	Auxiliary stopper (Top)	1
4	DR-XZ0021	Auxiliary stopper (Bottom)	1
5	DR-K45110-1	U type chammer (NEW) plastic	1
6	DR-CH20505-1	3 in 1 Screw M2.6*5mm	10
7	DR-CH20505-2	Screw M2.6*8mm	3
8	DR-CH20408-1	Bolt M2.6mm	4
9	DR-CH20518-1	Set screw M2.6*8mm	4
10	DR-K55200	Brush spring	1
11	DR-K49200	Wire fixer	3
F1	DR-KR42300	Front chamber ass'y	1
F2	DR-KR43100	Roller ass'y	1
F3	DR-KR42200	Rear PCB fixer ass'y	1
F4	DR-KR42400	Brush ass'y	1



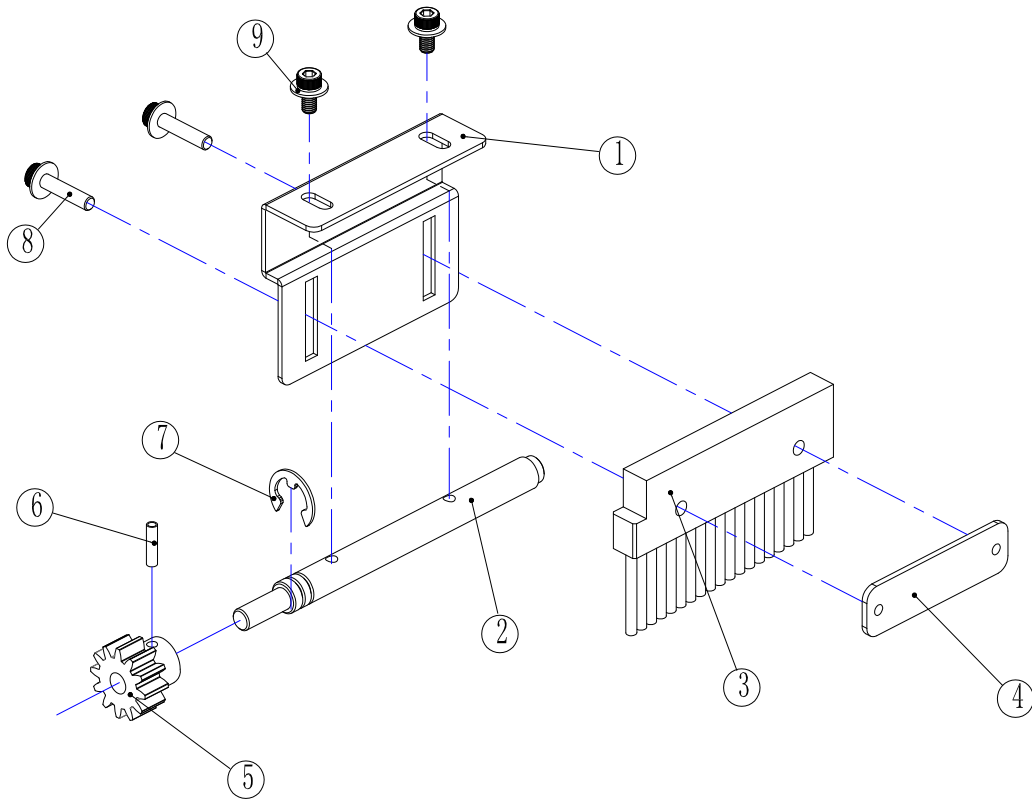
NO.	PARTS NO.	PARTS NAME-E	PARTS NAME-C	QTY	
1	DR-K44300	Front chamber plate		1	
2	DR-K71100	Gear plate		1	
3	DR-K63210-1	Front gate plate		1	
4	DR-K63220	Front gate right plate		1	
5	DR-K63230	Gate passage plate 12*0.2mm		2	
6	DR-K63230-2	M2.6*4 gate washer		2	
7	DR-CH20505-1	3 in 1 Screw M2.6*5mm (nickel)		2	
8	DR-CH30192-2	Hex socket head screw M2.6*16mm (black)		1	
9	DR-CH30192-1	Hex socket head screw M2.6*20mm (black)		1	
10	DR-K63270	Snap ring 3mm		1	
F1-1	DR-K50201	Brush driving plate unit			
1	DR-K50200	Brush driving plate		1	
2	DR-K41800-2	Brush driving bearing		1	
3	DR-K63270	Snap ring 3mm		1	



NO.	PARTS NO.	PARTS NAME	QTY
1	DR-K46200	Roller bracket	1
2	DR-K67100	Roller (white/plastic)	1
3	DR-K66200	Roller fixed plate	1
4	DR-K41600	Roller bearing 624	4
5	DR-CH20505-1	3 in 1 Screw M2.6*5mm (nickel)	4
6	DR-CH20504-1	Tapping screw M3.0*6mm (nickel)	6
7	DR-CH20504-26	Pan M3.0*6mm (nickel)	12
F2-1	DR-K65300	Scooping unit	
1	DR-K65200	Scooping plate	6
2	DR-K65300-1	Scooping plate (black)	6
3	DR-CH20504-7	Truss M2.6*4mm (nylok)	12

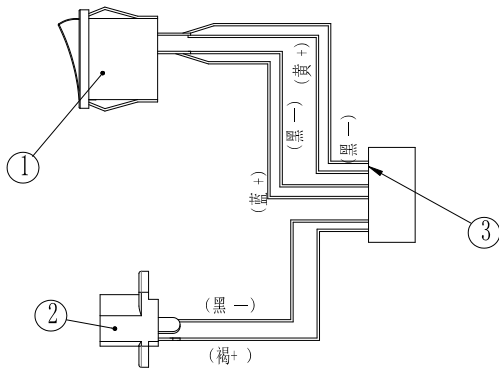


NO.	PARTS NO.	PARTS NAME	QTY
1	DR-K62200	V catch	1
2	DR-K75300	V catch bracket	1
3	DR-K47300	Rear PCB bracket	1
4	DR-CH20505-1	3 in 1 Screw M2.6*5mm (nickel)	2
5	DR-CH20506-30	Hex socket head screw M2.6*6mm (black)	2
6	DR-CH20301-5	Washer 2.7*8*0.5mm (nickel)	2

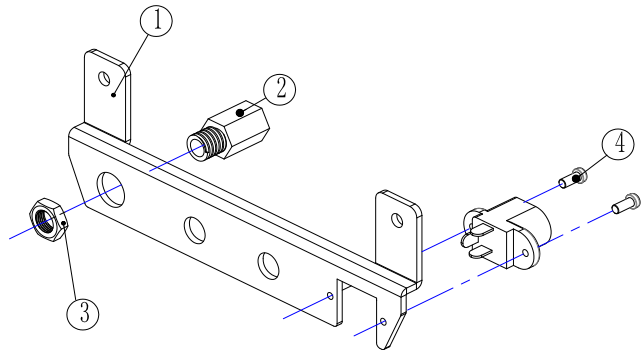


NO.	PARTS NO.	PARTS NAME	QTY
1	DR-K60200	Left brush bracket	1
2	DR-K59100	Brush shaft	1
3	DR-K55500	Brush	1
4	DR-K61200	Right brush bracket	1
5	DR-K48700	Brush driving gear	1
6	DR-K48800	Spring pin 2*8mm	1
7	DR-K55300	Snap ring 5mm	1
8	DR-CH20505-4	Hex socket head screw M2.6*12 with washer(black)	2
9	DR-CH20102-21	Hex socket head screw M2.6*5 with washer (black)	2

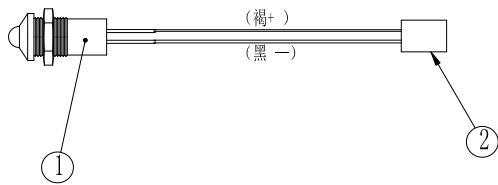
J1



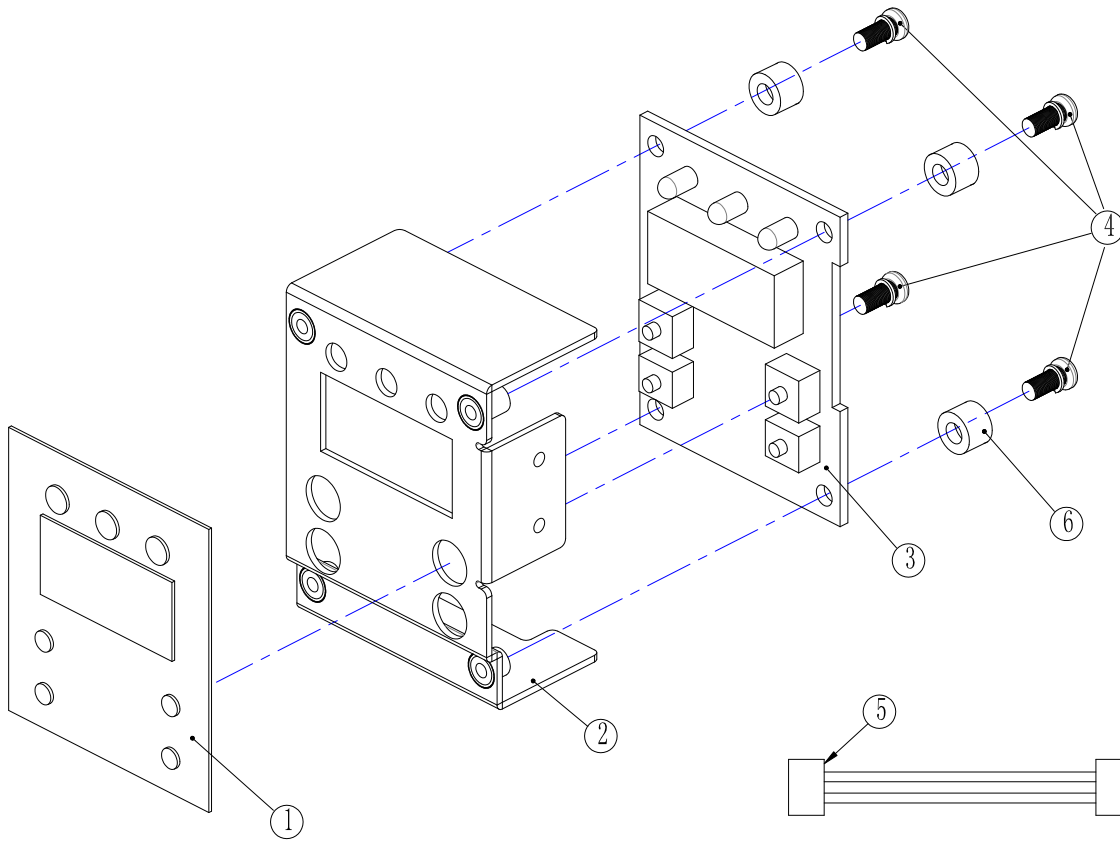
J3



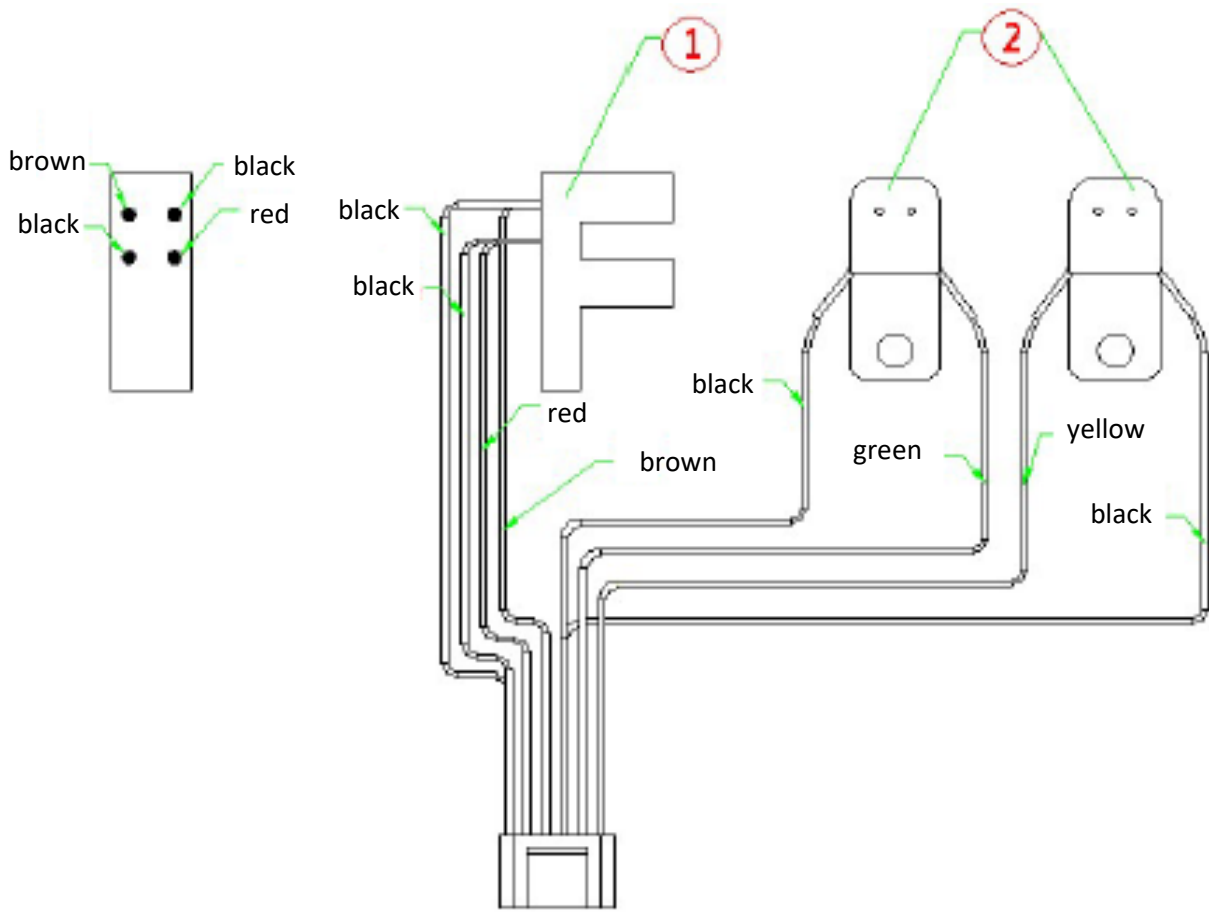
J2



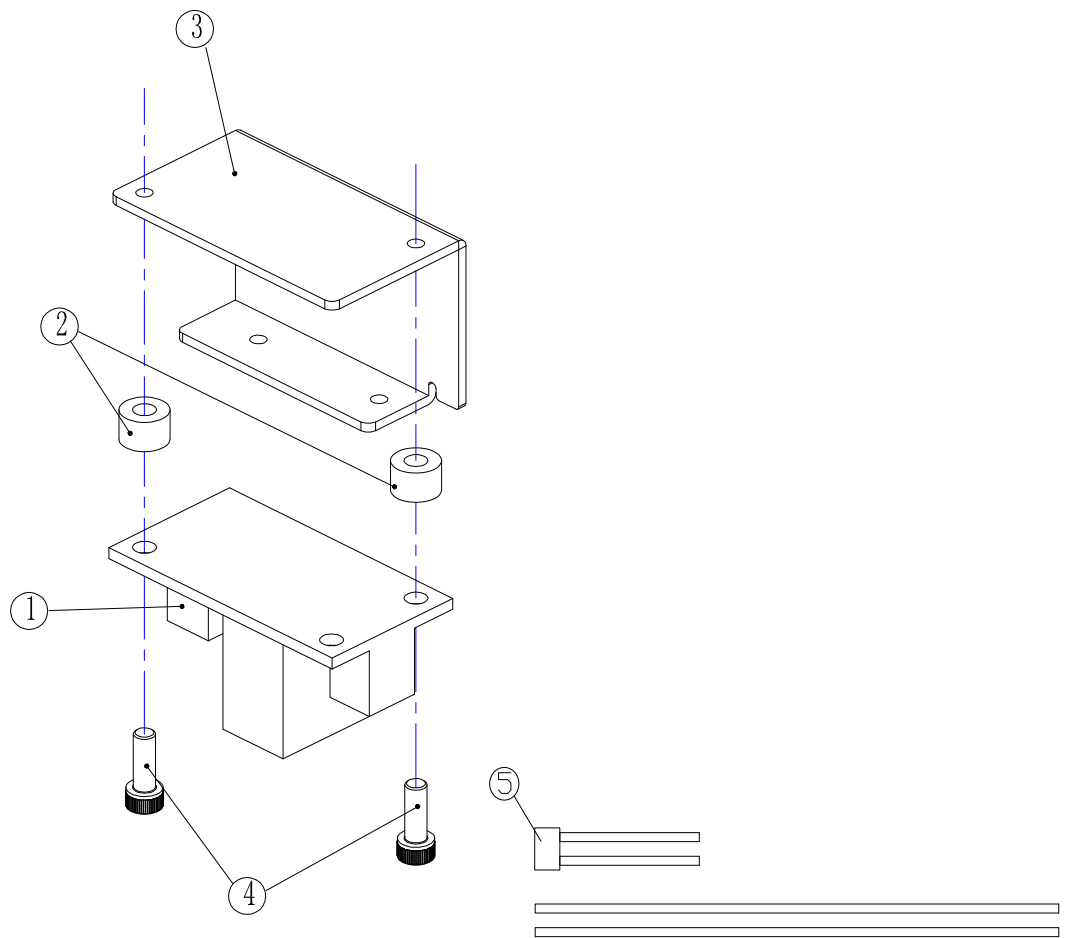
NO.	PARTS NO.	PARTS NAME	QTY
J1	DR-KR41600-2	Semi-finished power switch	1
1	DR-K41100	Power switch	1
2	DR-K41500-6	DC socket	1
3	DR-KR41600-3	Wire unit	1
J2	DR-K41400	Semi-finished LED	1
1	DR-K41200	LED	1
2	DR-K41400-1	LED wire	1
J3	DR-KR41600-4	Semi-finished ground	1
1	DR-K41500-4	DC socket plate	1
2	DR-K41500-5	DC socket rod	1
3	DR-CH20409	DC socket bolt	1
4	DR-CH20156	Truss M2.0*5mm (black)	1



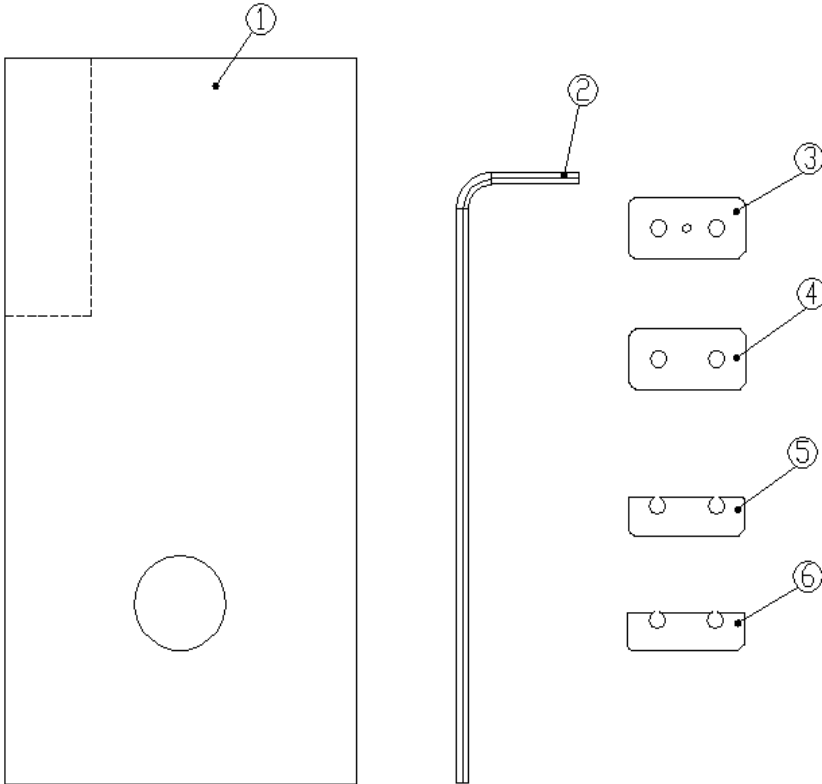
NO.	PARTS NO.	PARTS NAME	QTY
1	DR-Y18043	Myra	1
2	DR-K35301	Counter bracket	1
3	DR-K37100-6	Counter PCB (Display PCB)	1
4	DR-CH20505-5	Screw M2.6*5	4
5	DR-KR10006	Counter wires 4P	1
6	DR-K63230-5	Plastic washer	4



NO.	PARTS NO.	PARTS NAME	QTY
1	DR-KR10003-3	Disc sensor and F type wire 6P	1
2	DR-KR10003-4	Disc sensor and F type wire ass'y 6P	1



NO.	PARTS NO.	PARTS NAME	QTY
1	DR-E34001-5	Relay plate	1
2	DR-E34001-6	Relay fixing seleeve	2
3	DR-E34001-7	Relay mount	1
4	DR-CH20506-19	Hex socket head screw M2.6	2
5	DR-P12102-34	Semi-finished 2Pin socket	1



NO.	PARTS NO.	PARTS NAME	QTY
1	DR-K86100	Accessory box	1
2	DR-K87100	Allen key (2.0mm)	1
3	DR-K92100	Rear rail tooling plate 0.2mm	See Schedule
4	DR-K92110	Rear rail tooling plate 0.5mm	See Schedule
5	DR-K92002	Front rail tooling plate 0.2mm	See Schedule
6	DR-K92002-1	Front rail tooling plate 0.5mm	See Schedule