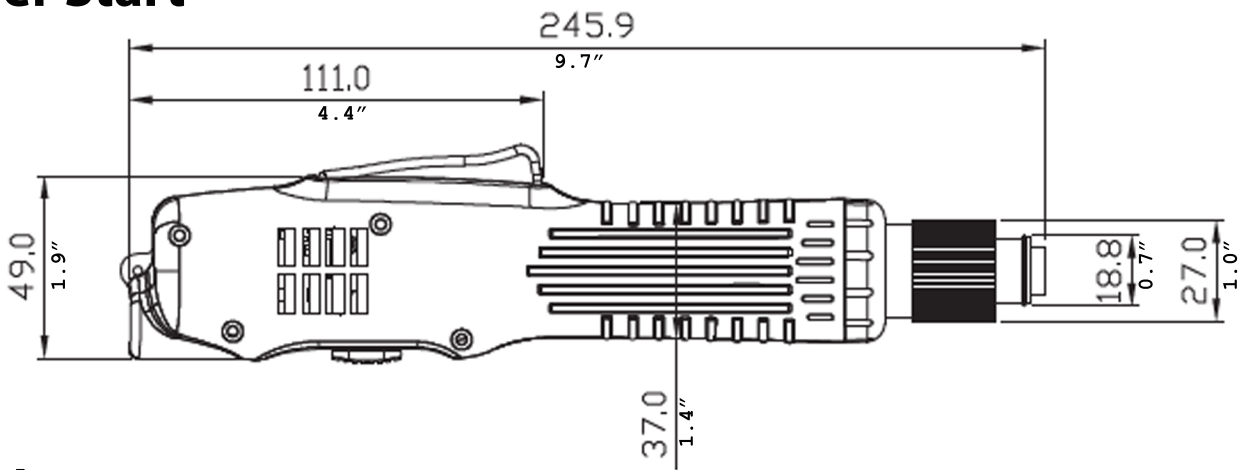


DIMENSIONAL DRAWING

Lever Start



Push Start

