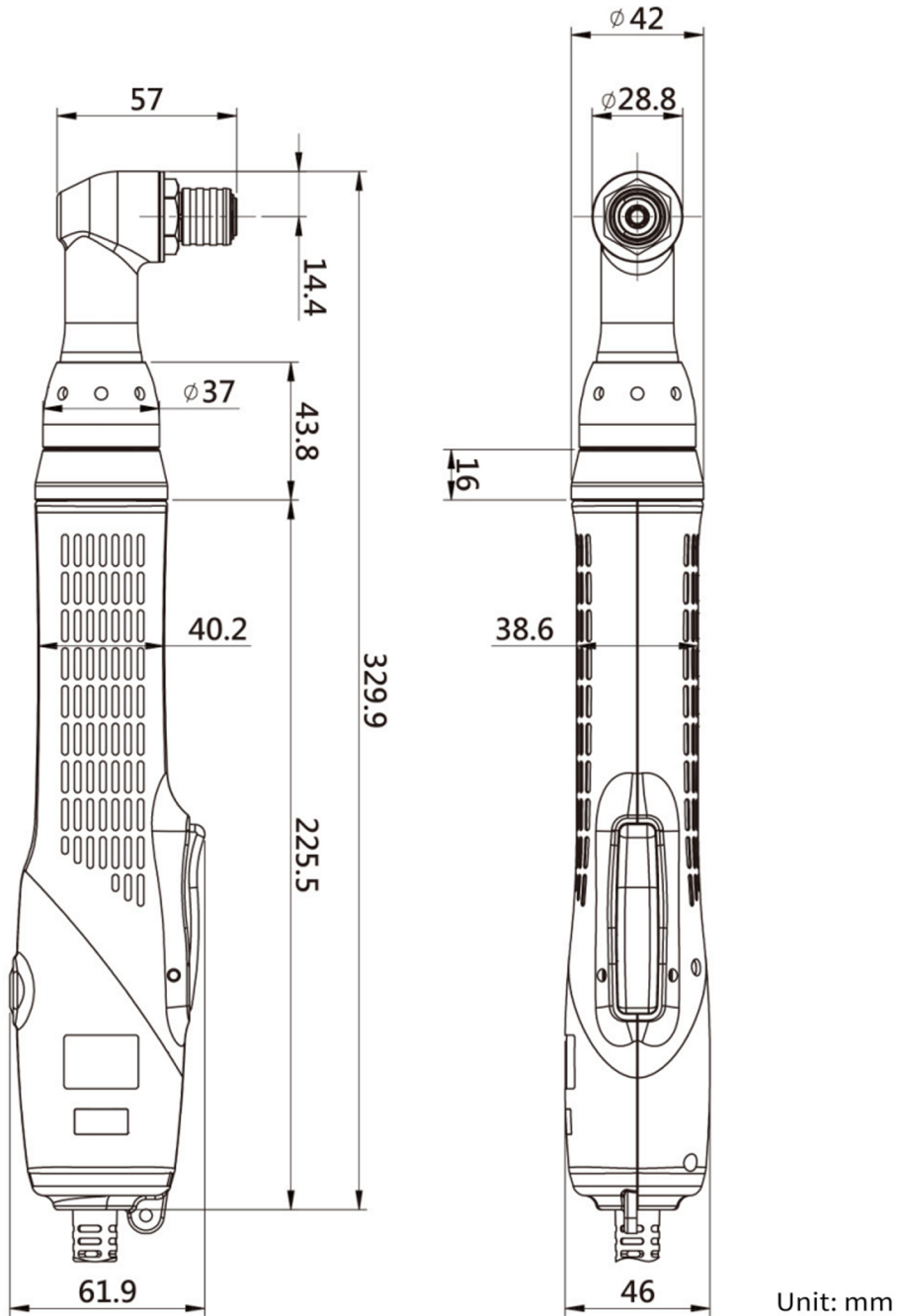
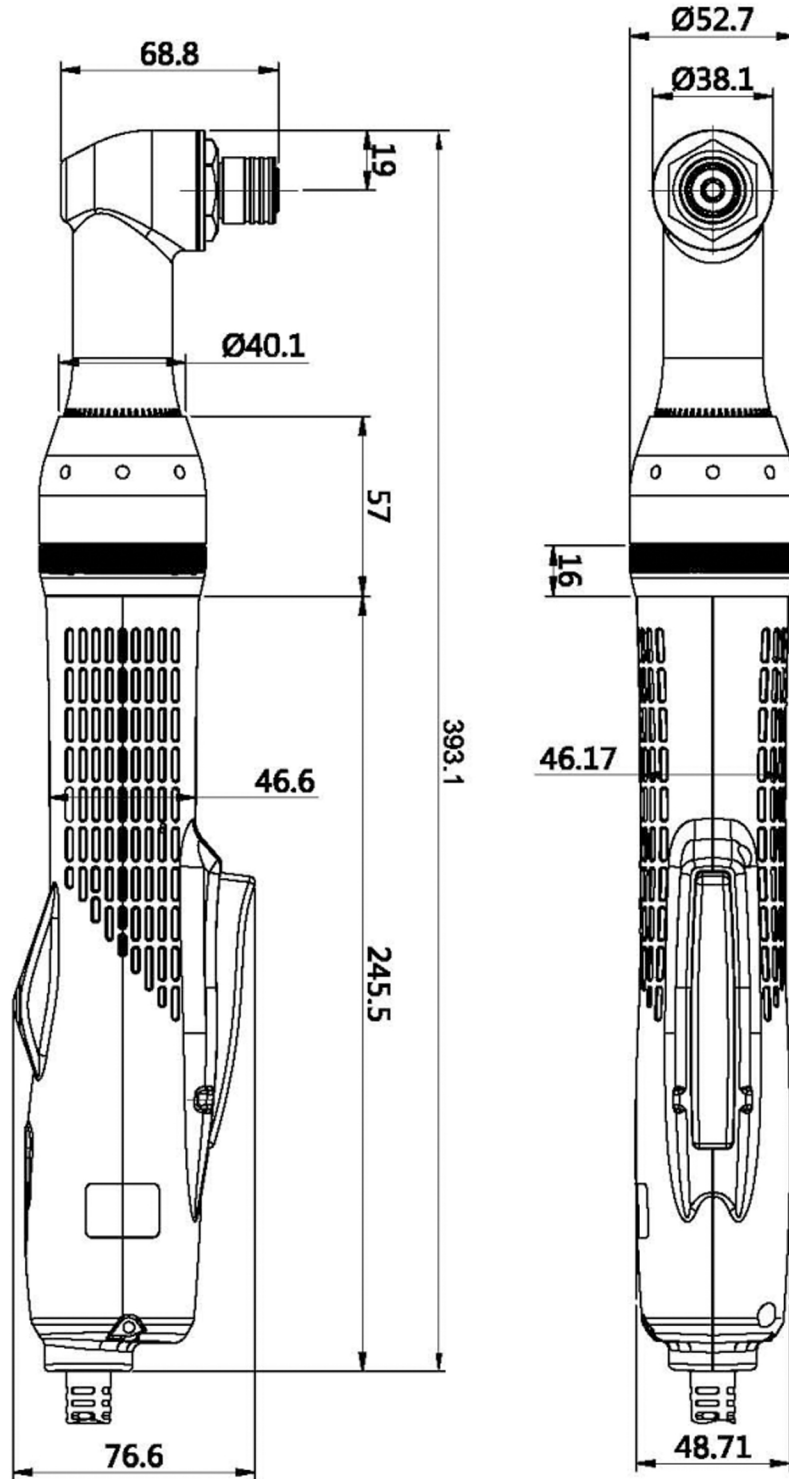


DIMENSIONAL DRAWING

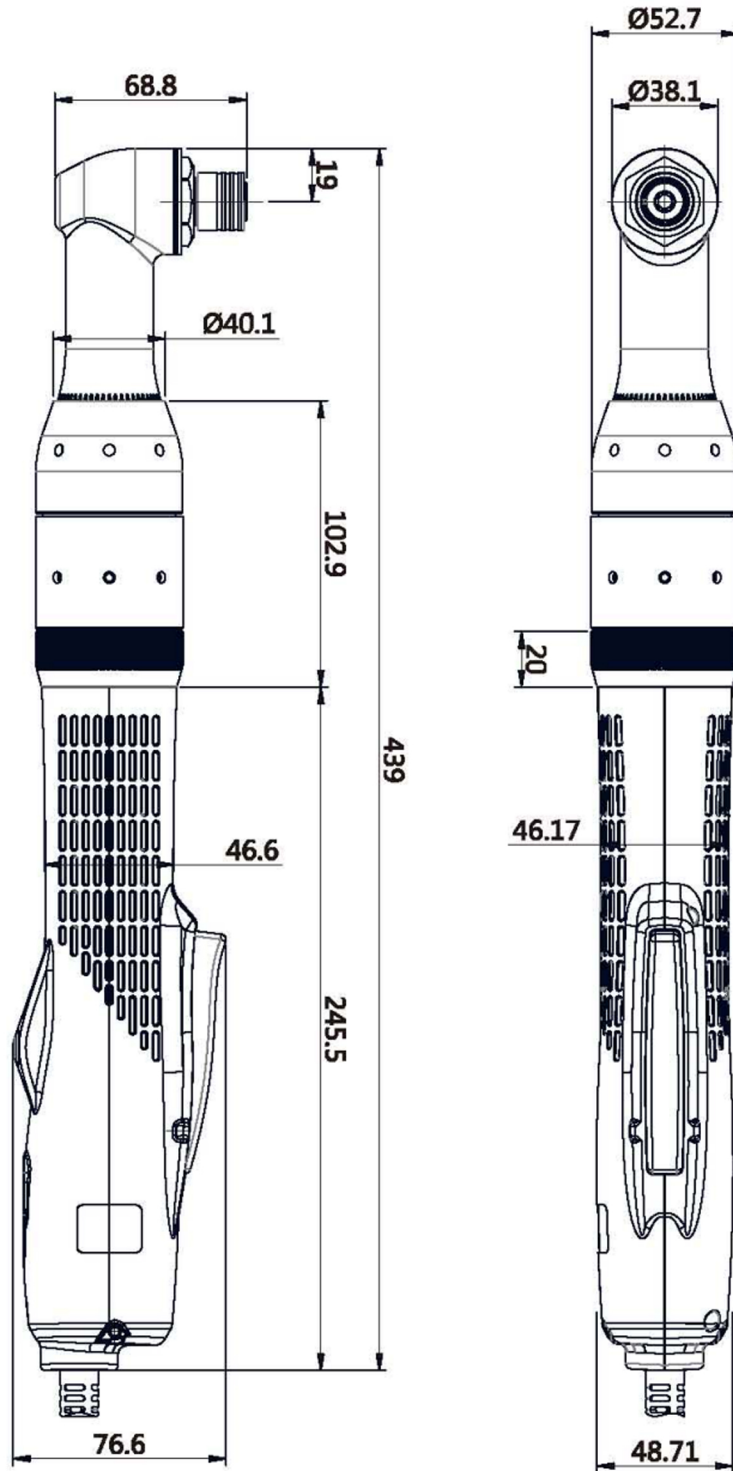


DIMENSIONAL DRAWING



Unit: mm

DIMENSIONAL DRAWING



Unit: mm