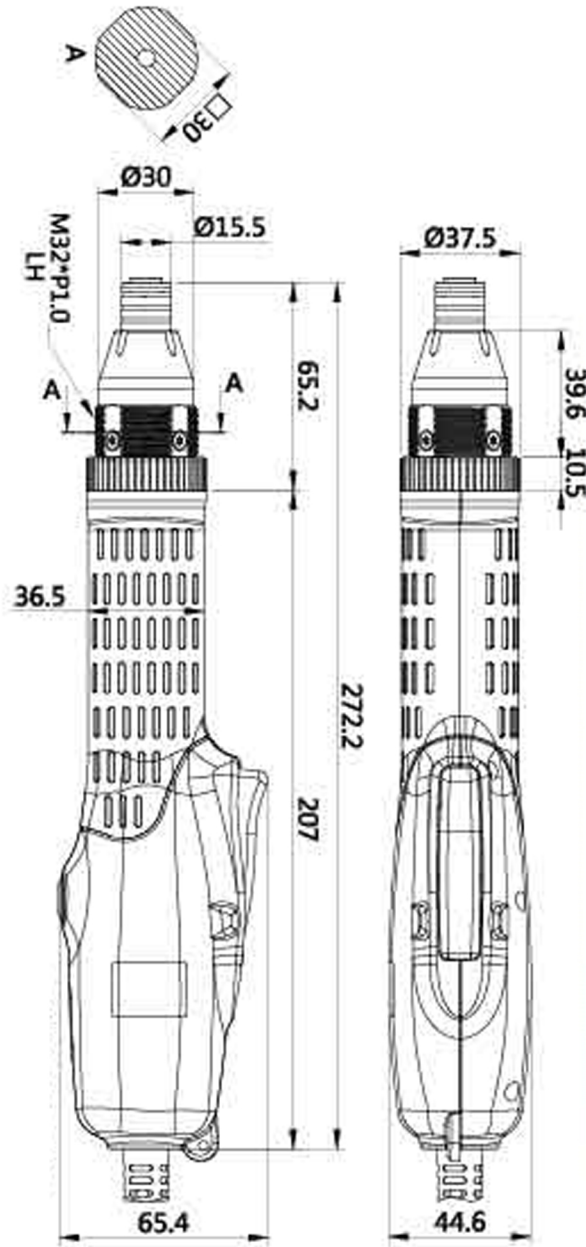
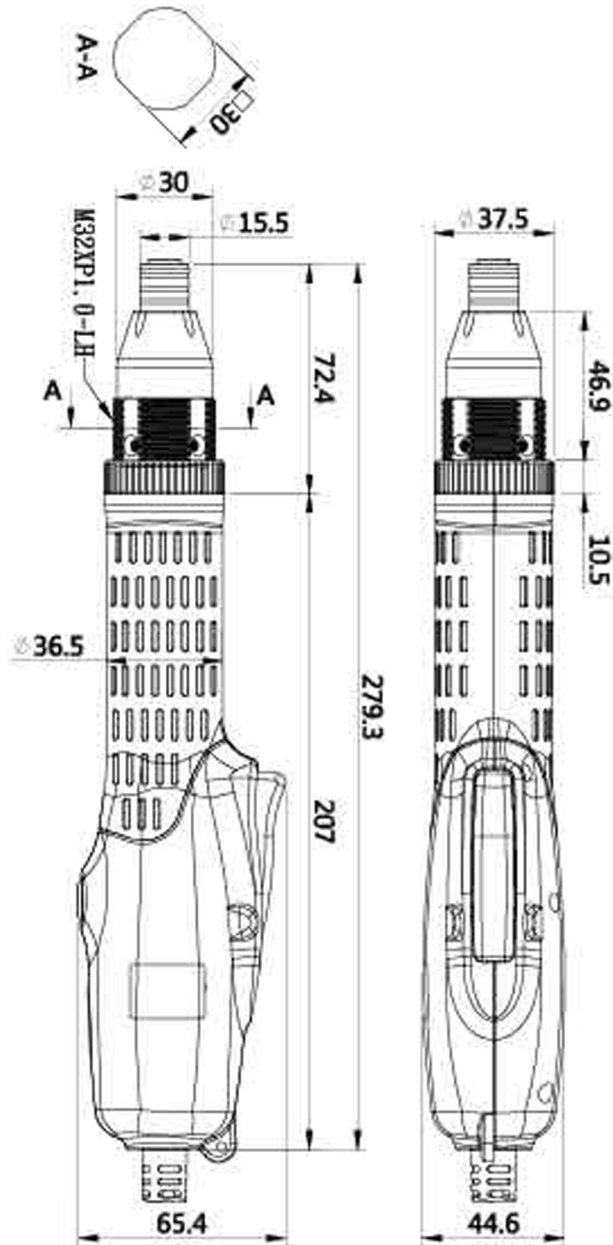


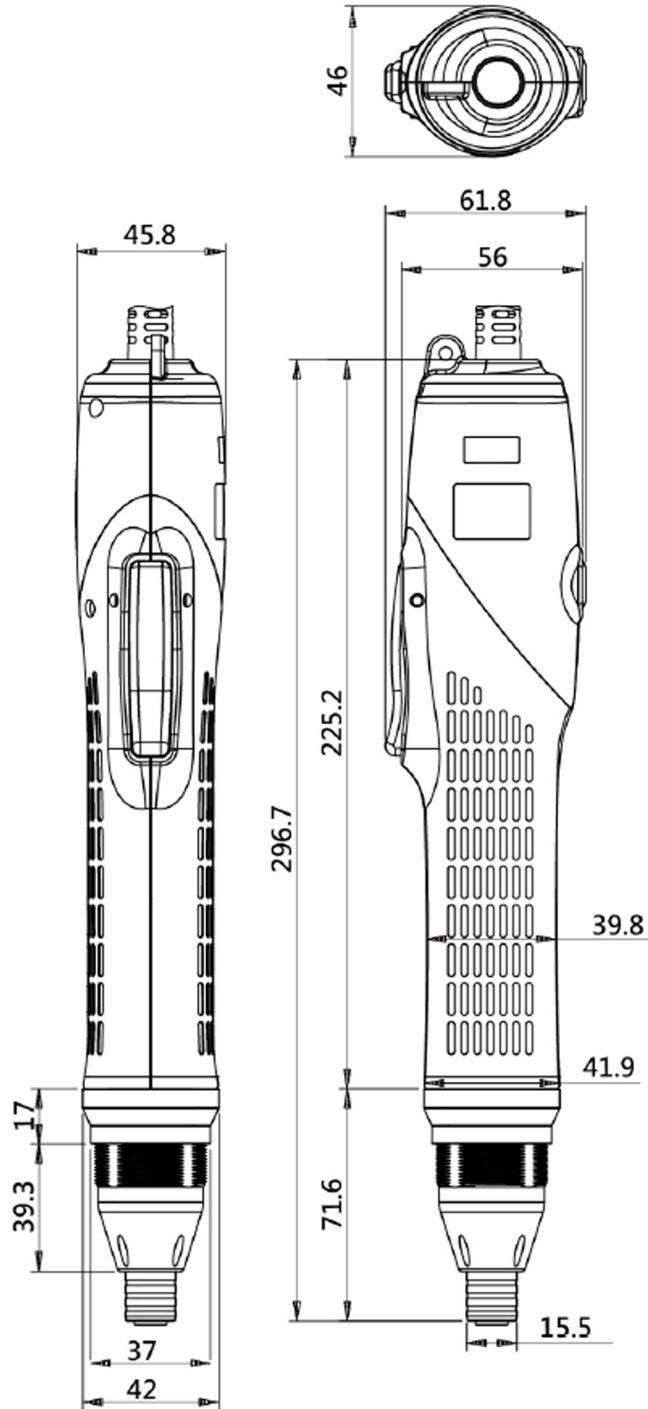
## DIMENSIONAL DRAWING



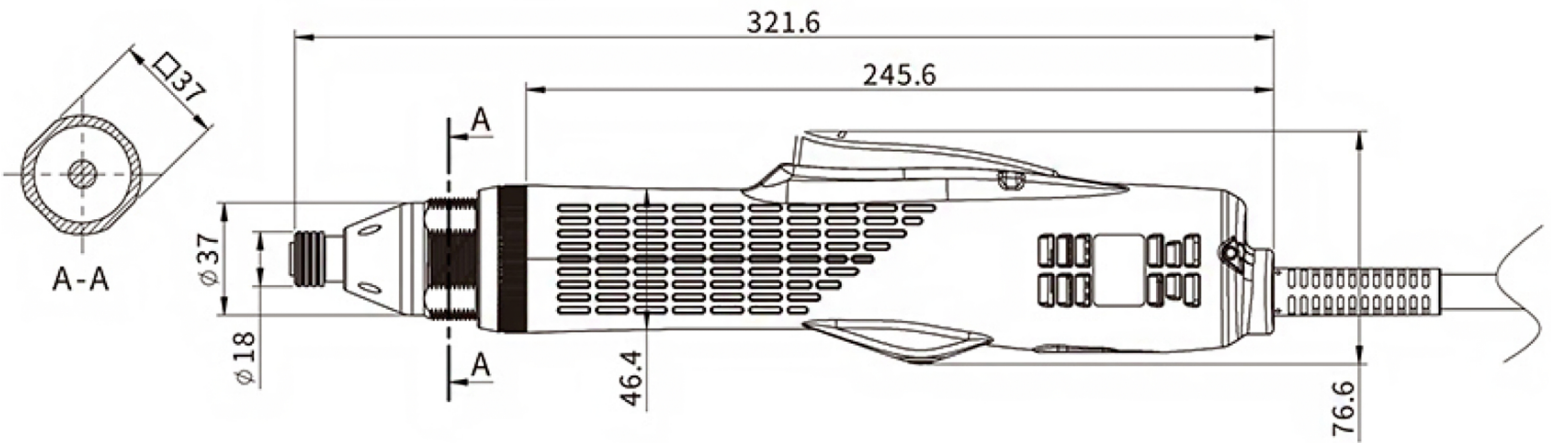
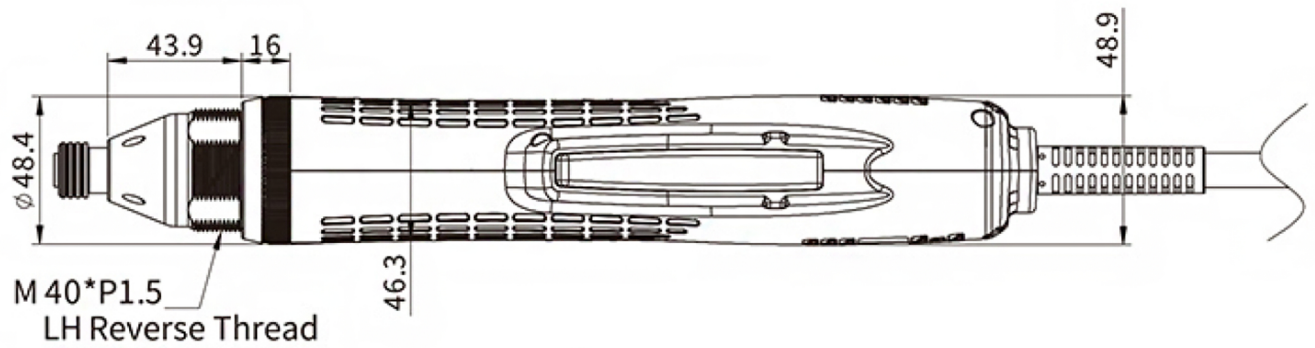
## DIMENSIONAL DRAWING



## DIMENSIONAL DRAWING



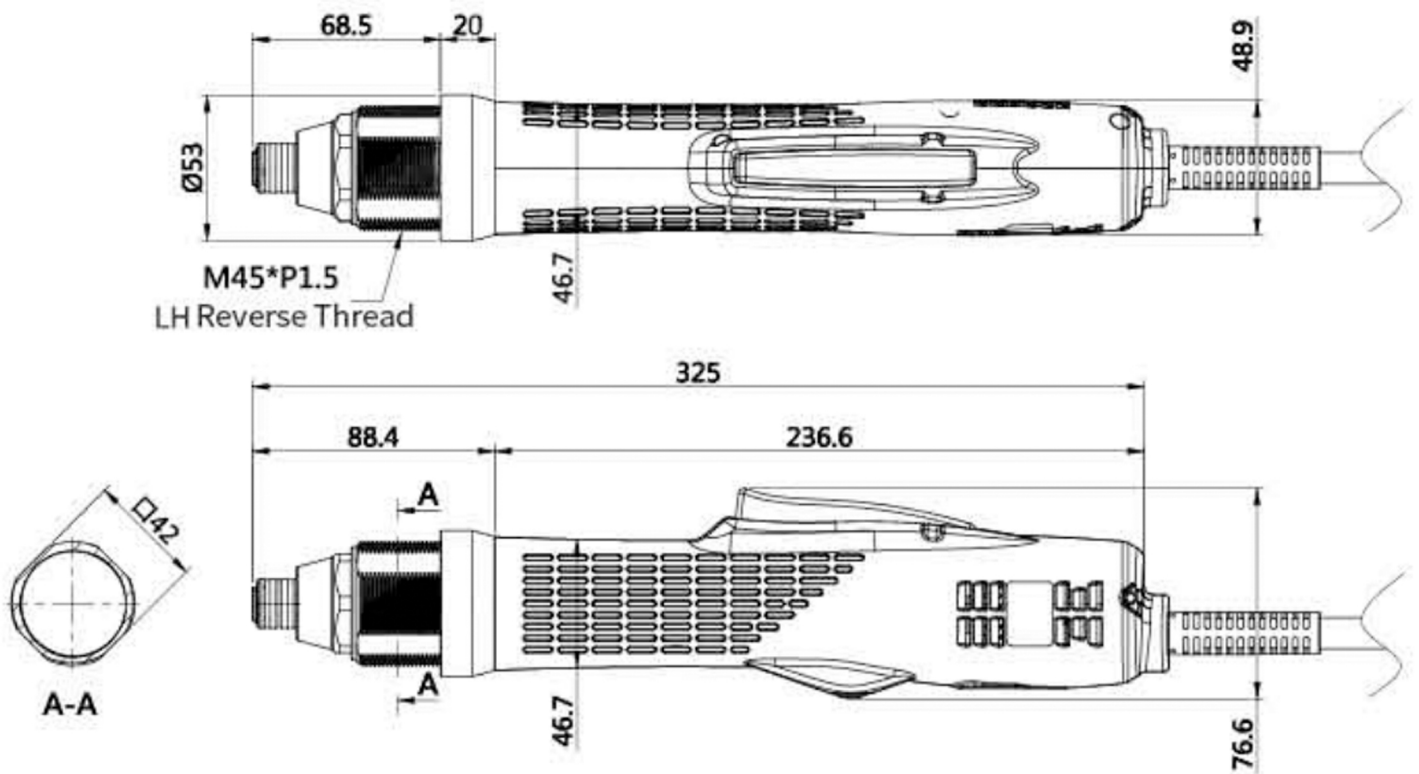
## DIMENSIONAL DRAWING



Unit: mm



## DIMENSIONAL DRAWING



Unit: mm